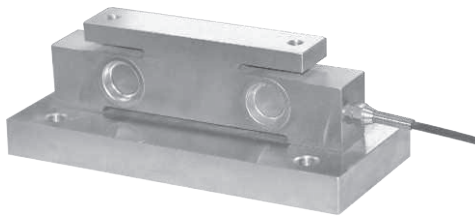


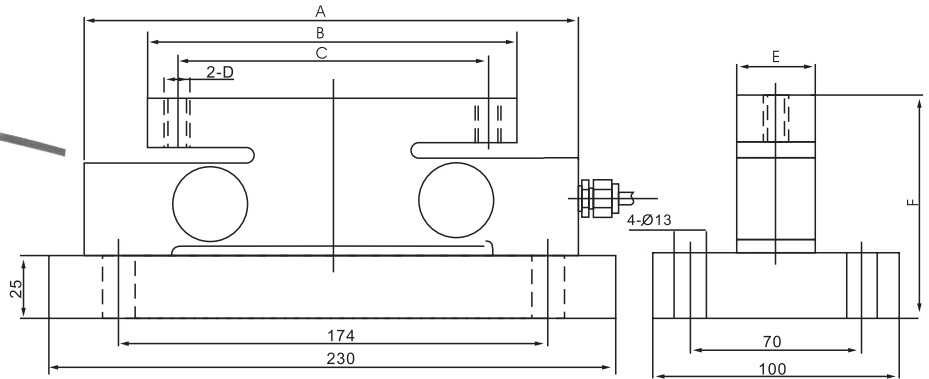


OSG-A Loadcell

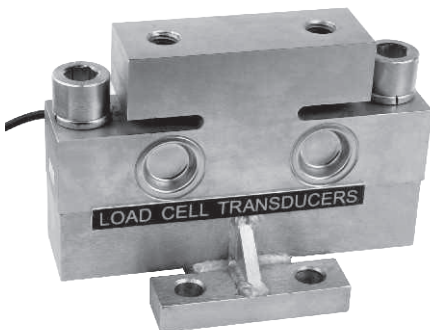
OSG-A



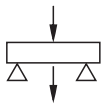
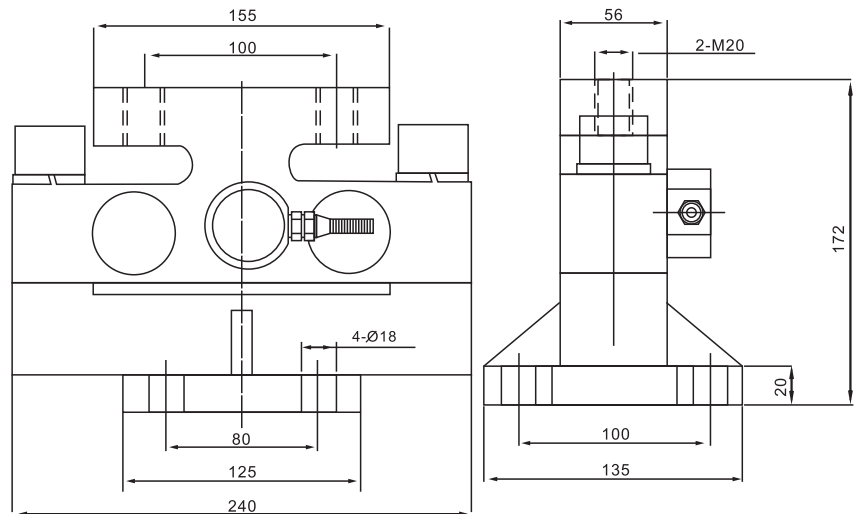
1~5t



Rated Load (t)	A	B	C	D	E	F
1-2	200	150	126	M10	32	83
3-5	220	140	110	M16	45	114



10~40t



Steel embody scale,silo scale,every kinds of crane mechanism

TECHNICAL PARAMETER | OAP version 4Wires:Exc+(Blue);Exc-(Black);Sig+(White);Sig-(Red)

Rated capacities(Emax)	1,2,3,5,10,15,20,25,30,40t	Temperature range, compensated	-10°C~+40°C
Sensitivity	2.0±0.01mV/V	Temperature range, operating	-30~+70°C
Total error	±0.2%F.S	Maximum safe overload	150%F.S
Creep error (30min)	±0.03%F.S	Ultimate overload	300%F.S
Zero balance	±1%F.S	Excitation,recommended	10~12V DC
TC ZERO	±0.02%F.S/10°C	Excitation,maximum	15V DC
TC SPAN	±0.02%F.S/10°C	Protection class	IP68
Input resistance	750±10 Ω	Construction	Alloy Steel
Output resistance	702±3 Ω	Cable	Length:8m(1~15t),10m(20t),12m(25t)14m(30,40)
Insulation resistance	≥5000M Ω		Diameter: φ 5mm(1~5t), φ 6mm(10~40t)