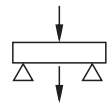
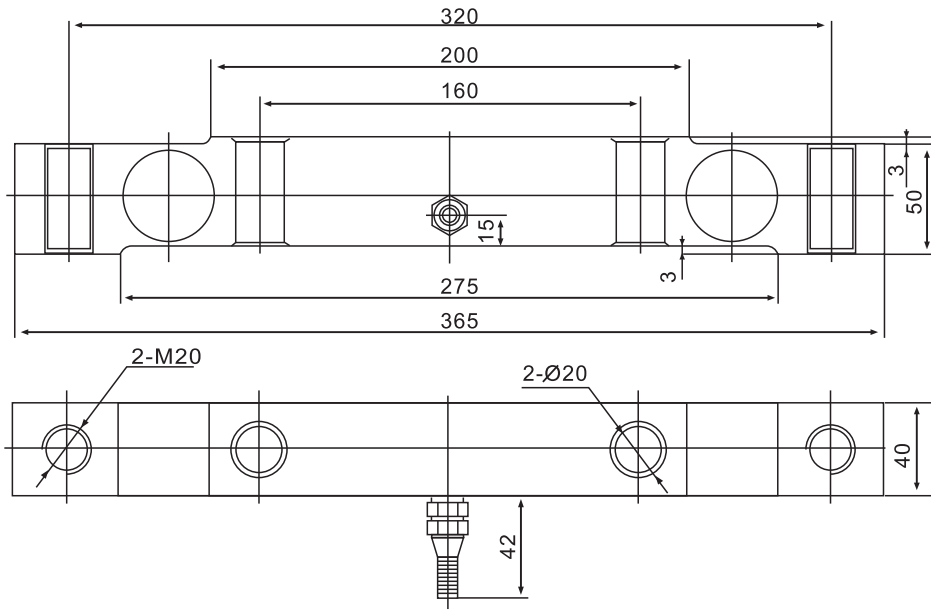




BTGE Loadcell

BTGE



Railway scale

TECHNICAL PARAMETER | OAP version 4Wires:Exc+(Blue);Exc-(Black);Sig+(White);Sig-(Red)

Rated capacities(Emax)	3t	Temperature range, compensated	-10°C~+40°C
Sensitivity	2.0 ± 0.003 mV/V	Temperature range, operating	-30~+70°C
Total error	± 0.1%F.S	Maximum safe overload	150%F.S
Creep error (30min)	± 0.02%F.S	Ultimate overload	200%F.S
Zero balance	± 1%F.S	Excitation, recommended	10~12V DC
TC ZERO	± 0.02%F.S/10°C	Excitation, maximum	15V DC
TC SPAN	± 0.05%F.S/10°C	Protection class	IP67
Input resistance	750 ± 10 Ω	Construction	Alloy Steel
Output resistance	702 ± 3 Ω	Cable	Length:12m
Insulation resistance	≥ 5000M Ω		Diameter: φ 6mm