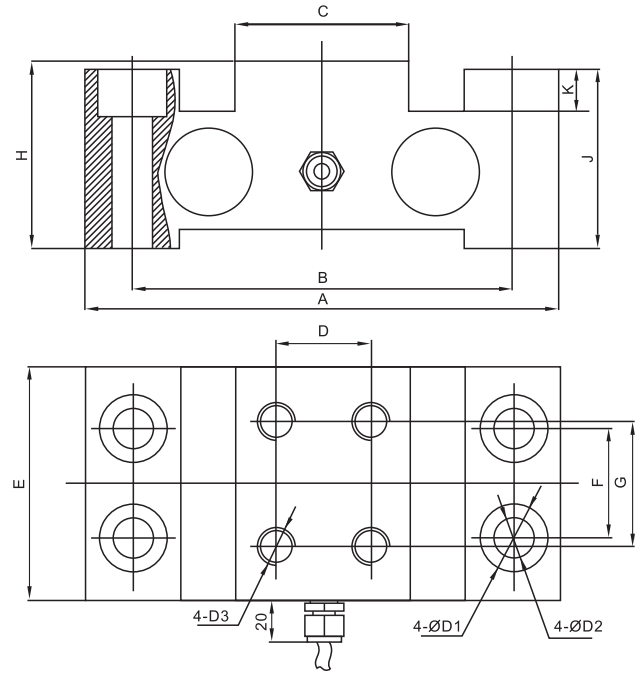
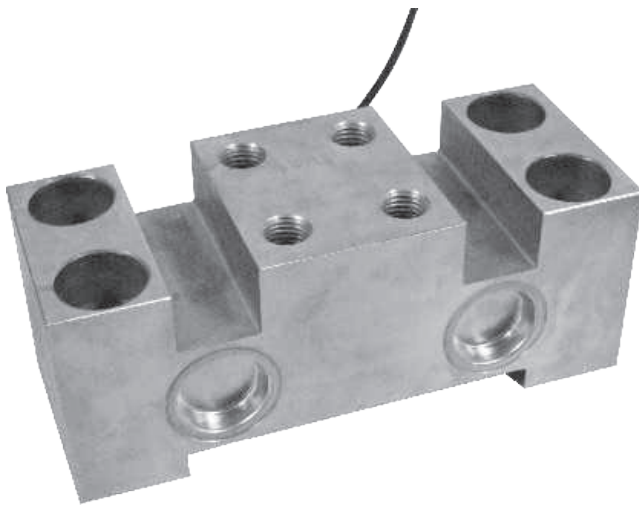


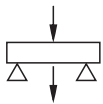


**QSN-A Loadcell**

**QSN-A**



Rated Load(t)	A	B	C	D	E	F	G	H	J	K	D1	D2	D3
10	200	170	85	60	80	50	50	60	50	7	26	18	M16
20,30	300	240	110	60	120	70	70	120	115	28	43	26	M24
40,50	300	240	110	60	150	70	80	120	115	30.5	43	26	M24



Steel embody scale,overhead crane scale

**TECHNICAL PARAMETER** | OAP version 4Wires:Exc+(Blue);Exc-(Black);Sig+(White);Sig-(Red)

Rated capacities(Emax)	10,20,30,40,50t	Temperature range, compensated	-10°C~+40°C
Sensitivity	1.8±0.005mV/V(10t);2.0±0.005mV/V(20t);1.2±0.005mV/V(30t);1.8±0.005mV/V(40-50t)	Temperature range, operating	-30~+70°C
Total error	±0.2%F.S	Maximum safe overload	150%F.S
Creep error (30min)	±0.03%F.S	Ultimate overload	300%F.S
Zero balance	±1%F.S	Excitation,recommended	10~12V DC
TC ZERO	±0.02%F.S/10°C	Excitation,maximum	15V DC
TC SPAN	±0.02%F.S/10°C	Protection class	IP68
Input resistance	750±10Ω	Construction	Alloy Steel
Output resistance	702±3Ω,703±5Ω (L≥15m)	Cable	Length=L:12m(10t),14m(20~30t),16m(40,50t)
Insulation resistance	≥5000MΩ		Diameter: φ6mm