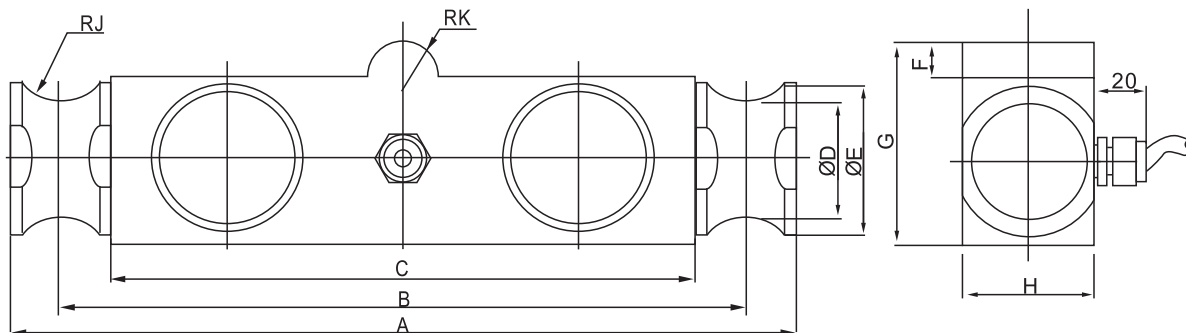
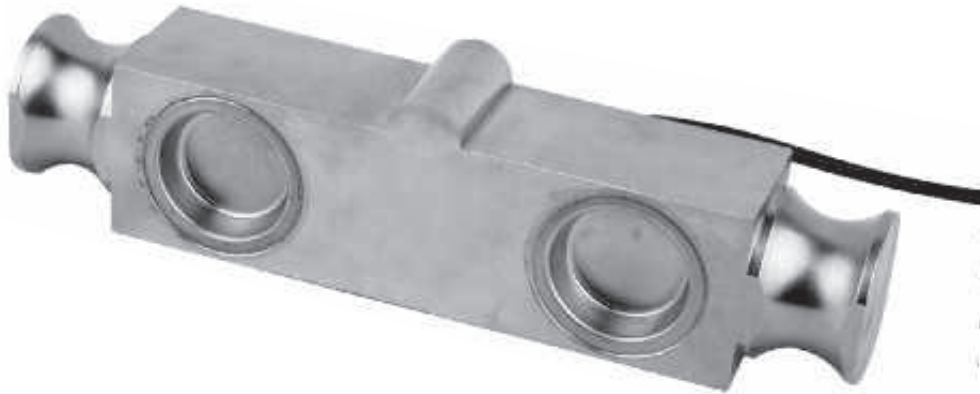


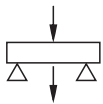


QSEB-A/-ASS Loadcell

QSEB-A/-ASS



| Rated Load (klb) | A | B | C | D | E | F | G | H | J | K |
|------------------|-----|-----|-----|----|----|----|----|----|----|----|
| 25,40,50 | 210 | 185 | 159 | 41 | 51 | 13 | 64 | 51 | 13 | 13 |
| 60,75 | 292 | 254 | 216 | 43 | 56 | 13 | 76 | 51 | 21 | 13 |
| 100,125 | 368 | 317 | 267 | 62 | 81 | 21 | 99 | 74 | 25 | 38 |



Truck scale, railway scale, axle-load scale, floor scale, warehouse scale

TECHNICAL PARAMETER | OAP version 4Wires:Exc+(Blue);Exc-(Black);Sig+(White);Sig-(Red)

| | | | |
|------------------------|---------------------------|--------------------------------|-----------------------------------|
| Rated capacities(Emax) | 25,40,50,60,75,100,125klb | Temperature range, compensated | -10°C~+40°C |
| Sensitivity | 3.0±0.003mV/V | Temperature range, operating | -30~+70°C |
| Total error | ±0.03%F.S;±0.05%F.S | Maximum safe overload | 150%F.S |
| Creep error (30min) | ±0.02%F.S | Ultimate overload | 250%F.S |
| Zero balance | ±1%F.S | Excitation, recommended | 10~12V DC |
| TC ZERO | ±0.02%F.S/10°C | Excitation, maximum | 15V DC |
| TC SPAN | ±0.02%F.S/10°C | Protection class | IP68 |
| Input resistance | 750±10Ω | Construction | Alloy Steel Stainless Steel |
| Output resistance | 702±3Ω | Cable | Length:12m(25~50klb), (60~125klb) |
| Insulation resistance | ≥5000MΩ | | Diameter: φ6mm |