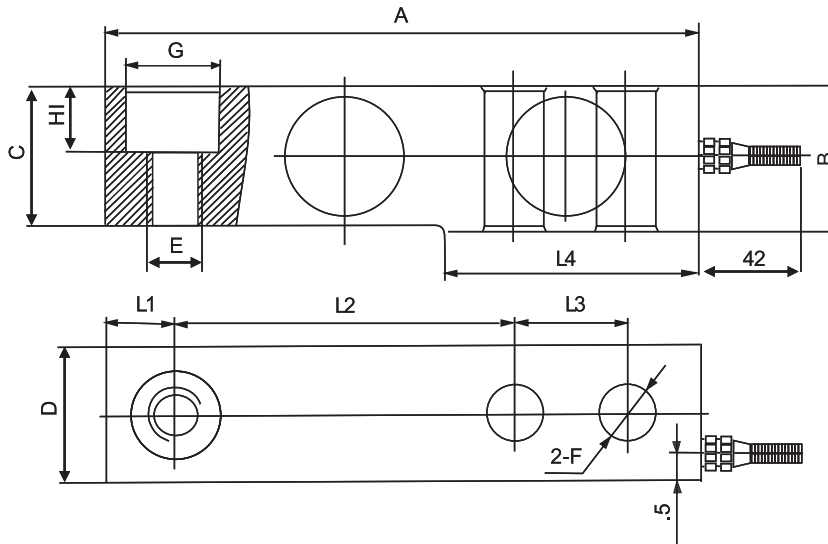
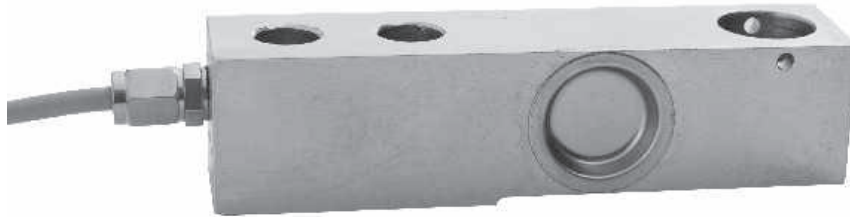


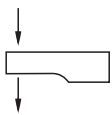


SBT/SBT-A/-ASS Loadcell

SBT/SBT-A/-ASS



Rated Load (t)	A	B	C	D	E	F	G	L1	L2	L3	L4	H1
0.22,0.55,1.1,1.76,2	133.4	33.5	31.5	30.7	M12	φ 13.2	φ 20.6	15.4	76.2	25.4	57.7	14.2
2.2	171.5	36.5	34	36.8	M20	φ 20.5	φ 30.2	19.1	95.3	38.1	76.2	17.0
4.4	171.5	42.9	40.4	42.9	M20	φ 20.5	φ 30.2	19.1	95.3	38.1	76.2	20.1



Forklift scale, floor scale, blending scale, low platform scale

TECHNICAL PARAMETER | OAP version 4Wires:Exc+(Blue);Exc-(Black);Sig+(White);Sig-(Red)

Rated capacities(Emax)	0.22,0.55,1.1,1.76,2,2.2,4.4t	Temperature range, compensated	-10°C~+40°C
Sensitivity	1.94±0.002mV/V	Temperature range, operating	-30~+70°C
Total error	±0.05%F.S	Maximum safe overload	120%F.S
Creep error (30min)	±0.02%F.S, ±0.03%F.S	Ultimate overload	200%F.S
Zero balance	±1%F.S	Excitation, recommended	10~12V DC
TC ZERO	±0.02%F.S/10°C	Excitation, maximum	15V DC
TC SPAN	±0.02%F.S/10°C	Protection class	IP67(0.22~0.55t);IP68(1.1~4.4t)
Input resistance	400±20Ω	Construction	Alloy Steel Stainless Steel
Output resistance	352±3Ω	Cable	Length:3m(0.22~2t),6m(2.2~4.4t)
Insulation resistance	≥5000MΩ		Diameter: φ 5mm