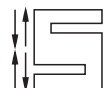
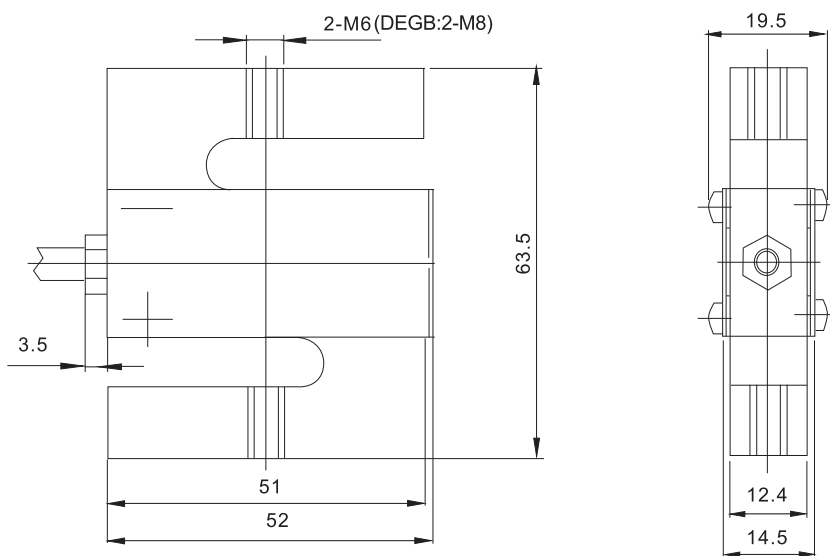
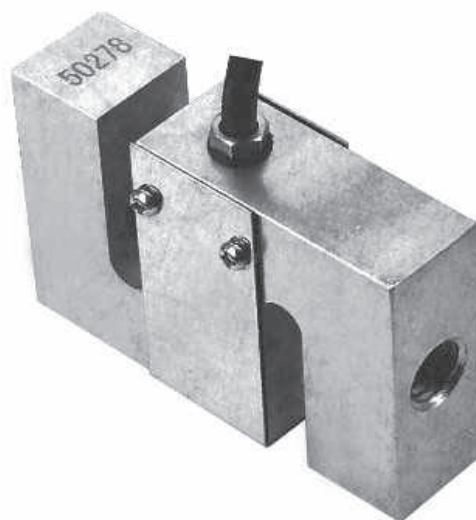




DEG/DEM/DEGB Loadcell

DEG/DEM/DEGB



Crane scale, belt scale, blending system

TECHNICAL PARAMETER | OAP version 4Wires:Exc+(Blue);Exc-(Black);Sig+(White);Sig-(Red)

Rated capacities(Emax)	50, 100kg	Temperature range, compensated	-10°C~+40°C
Sensitivity	3.0±0.003mV/V(DEG/DEGB);2.0±0.003mV/V(DEM)	Temperature range, operating	-30~+70°C
Total error	±0.03%F.S	Maximum safe overload	120%F.S
Creep error (30min)	±0.03%F.S	Ultimate overload	150%F.S
Zero balance	±1%F.S	Excitation, recommended	10~12V DC
TC ZERO	±0.02%F.S/10°C	Excitation, maximum	15V DC
TC SPAN	±0.02%F.S/10°C	Protection class	IP65
Input resistance	400 Ω	Construction	Alloy Steel
Output resistance	352 ± 3 Ω	Cable	Length:5m
Insulation resistance	≥5000M Ω		Diameter: φ 5mm