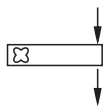
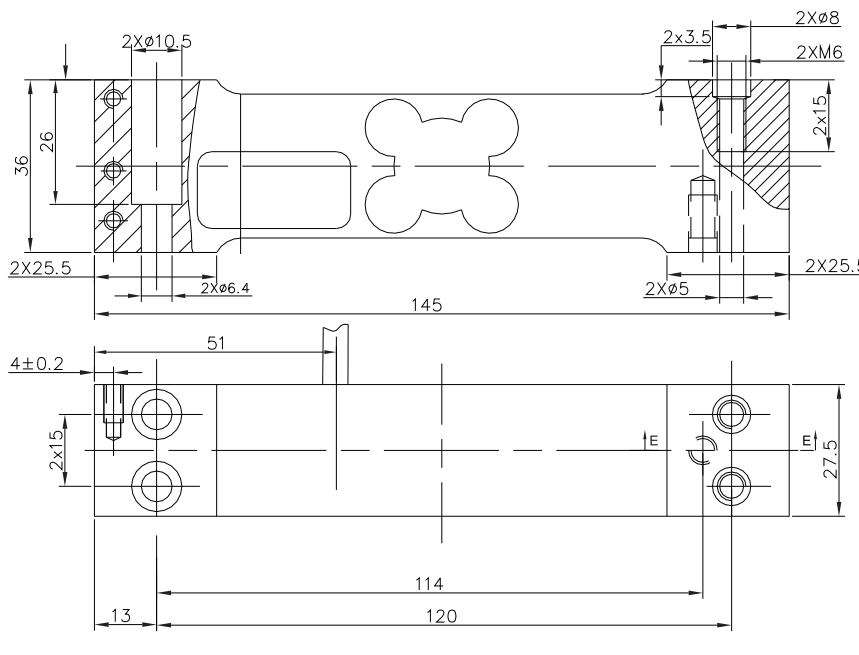
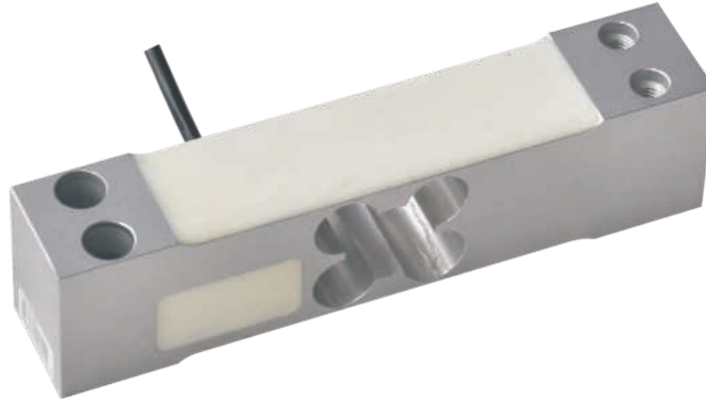




UHE Load cell

UHE



All kinds of platform scales,

TECHNICAL PARAMETER

OAP version 4Wires:Exc+(Blue);Exc-(Black);Sig+(White);Sig-(Red)

Rated capacities(Emax)	12, 18, 36, 60kg	Temperature range, compensated	≥2000MΩ (50V DC)
Sensitivity	2.0 ± 0.2mV/V	Temperature range, operating	-20~+50°C
Accuracy class	OIML C3	Maximum safe overload	150%F.S
Creep error (30min)	± 166ppm	Ultimate overload	300%F.S
Zero balance	± 3%Emax	Excitation, recommended	10V DC
TC ZERO	± 17.5ppm/°C	Excitation, maximum	15V DC
TC SPAN	+20°C~+40°C, ± 17.5ppm/°C	Protection class	IP65
	-10°C~+20°C, ± 11.67ppm/°C	Construction	Aluminium
Input resistance	404 ± 15Ω	Cable	Length:0.5m
Output resistance	350 ± 3Ω		Diameter: φ 4mm
Max platform size	300 × 400mm	Installation torque, recommended	10N · m