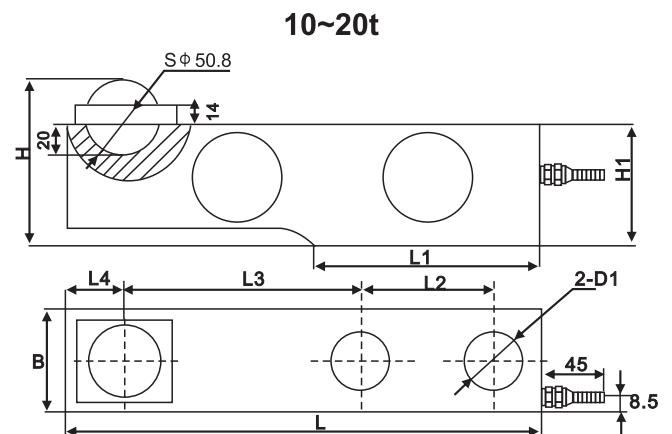
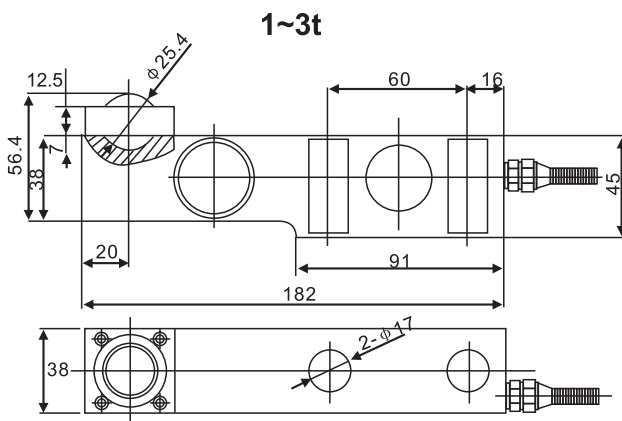
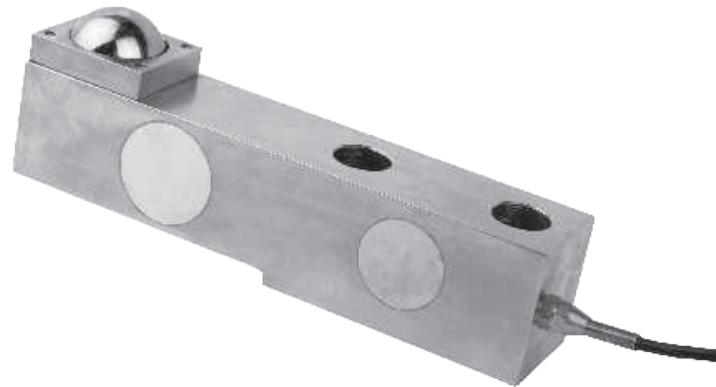


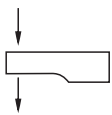


SBY-A/-ASS Loadcell

SBY-A/-ASS



Rated Load (t)	L	L1	L2	L3	L4	H	H1	B	D1
10	279	133	82	140	32	97.8	67	60	φ 28
20	318	153	89	159	38	113.3	82.5	70	φ 34



Canned scale, floor scale, blending scale

TECHNICAL PARAMETER | OAP version 4Wires:Exc+(Blue);Exc-(Black);Sig+(White);Sig-(Red)

Rated capacities(Emax)	1,2,3,10,20t	Temperature range, compensated	-10°C~+40°C
Sensitivity	2.0±0.002mV/V	Temperature range, operating	-30~+70°C
Total error	±0.05%F.S	Maximum safe overload	150%F.S
Creep error (30min)	±0.02%F.S	Ultimate overload	200%F.S
Zero balance	±1%F.S	Excitation,recommended	10~12V DC
TC ZERO	±0.02%F.S/10°C	Excitation,maximum	15V DC
TC SPAN	±0.02%F.S/10°C	Protection class	IP68
Input resistance	400±20Ω	Construction	Alloy Steel Stainless Steel
Output resistance	352±3Ω	Cable	Length:1.5m(1~3t),7m(10t);12m(20t)
Insulation resistance	≥5000MΩ		Diameter: φ 6mm