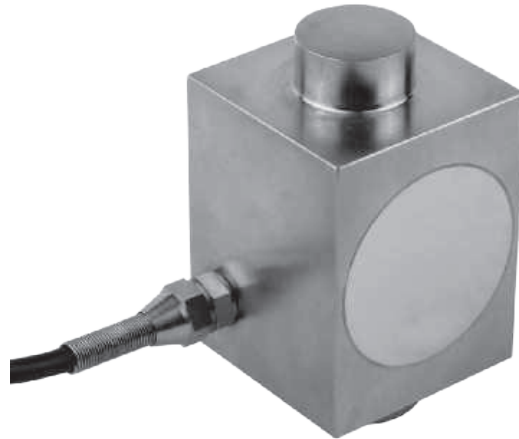


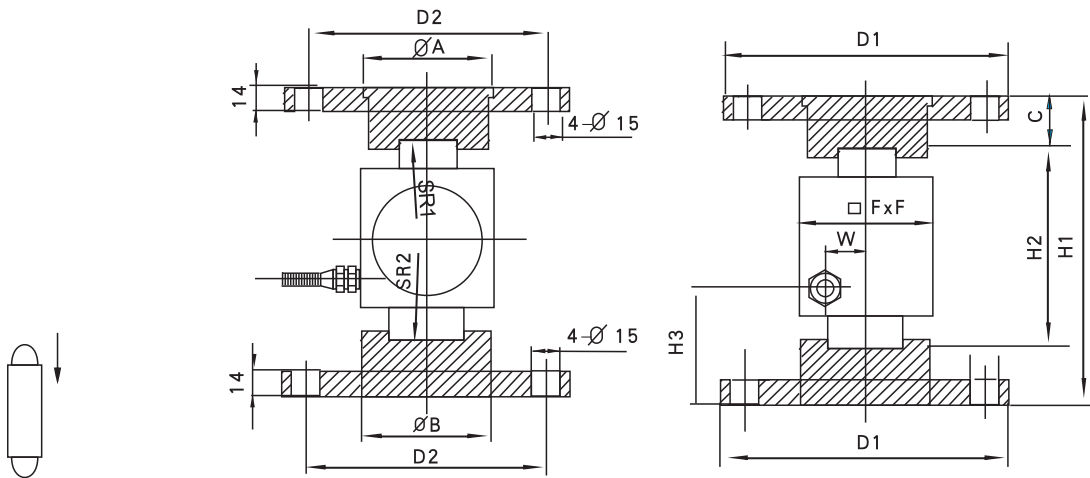


HR Loadcell

HR



Capacity	size	H1	H2	H3	W	D1	D2	C	A	B	F	SR1	SR2
	5~30t	140	100	50	13.5	φ 130	φ 105	20	64	60	56	150	150
	40~50t	168	110	63	20	φ 155	φ 130	29	70	70	74	180	180



Truck scale,static hopper scale

TECHNICAL PARAMETER

OAP version 4Wires:Exc+(Blue);Exc-(Black);Sig+(White);Sig-(Red)

Rated capacities(Emax)	5,10,20,30,40,50t	Temperature range, compensated	-10°C~+40°C
Sensitivity	2.0±0.005mV/V	Temperature range, operating	-30~+70°C
Total error	±0.05%F.S	Maximum safe overload	150%F.S
Creep error (30min)	±0.03%F.S	Ultimate overload	200%F.S
Zero balance	±1%F.S	Excitation,recommended	10~12V DC
TC ZERO	±0.03%F.S/10°C	Excitation,maximum	15V DC
TC SPAN	±0.03%F.S/10°C	Protection class	IP67
Input resistance	400±20Ω	Construction	Alloy Steel
Output resistance	352±3Ω;352±5Ω(L≥15m)	Cable Length=L:8m(5~10t),12m(20~30t),16m(40~50t)	
Insulation resistance	≥5000MΩ	Diameter: φ 6mm	