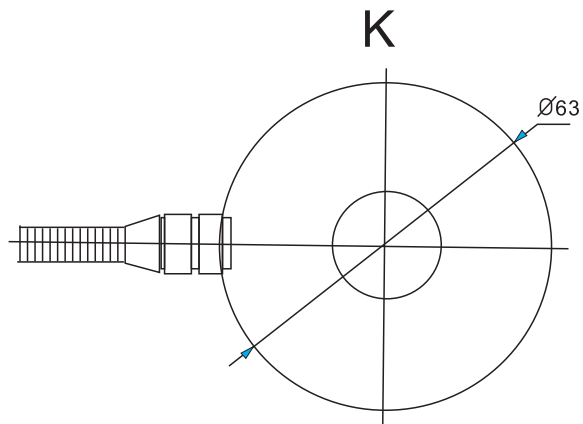
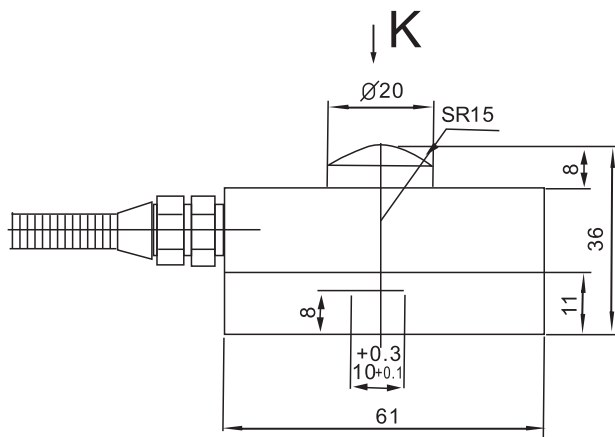




YBSG-A Loadcell

YBSG-A



Axle wheel identify unit

TECHNICAL PARAMETER | OAP version 4Wires:Exc+(Blue);Exc-(Black);Sig+(White);Sig-(Red)

Rated capacities(Emax)	1,2t	Temperature range, compensated	-10°C~+40°C
Sensitivity	2.0±0.1mV/V	Temperature range, operating	-30~+70°C
Total error	±0.5%F.S	Maximum safe overload	120%F.S
Creep error (30min)	±0.5%F.S	Ultimate overload	150%F.S
Zero balance	±1%F.S	Excitation, recommended	10~12V DC
TC ZERO	±0.2%F.S/10°C	Excitation, maximum	15V DC
TC SPAN	±0.2%F.S/10°C	Protection class	IP68
Input resistance	900±30Ω	Construction	Alloy Steel
Output resistance	700±5Ω	Cable	Length:4.5m (2t) 10m(1t)
Insulation resistance	≥5000MΩ		Diameter: φ 5mm