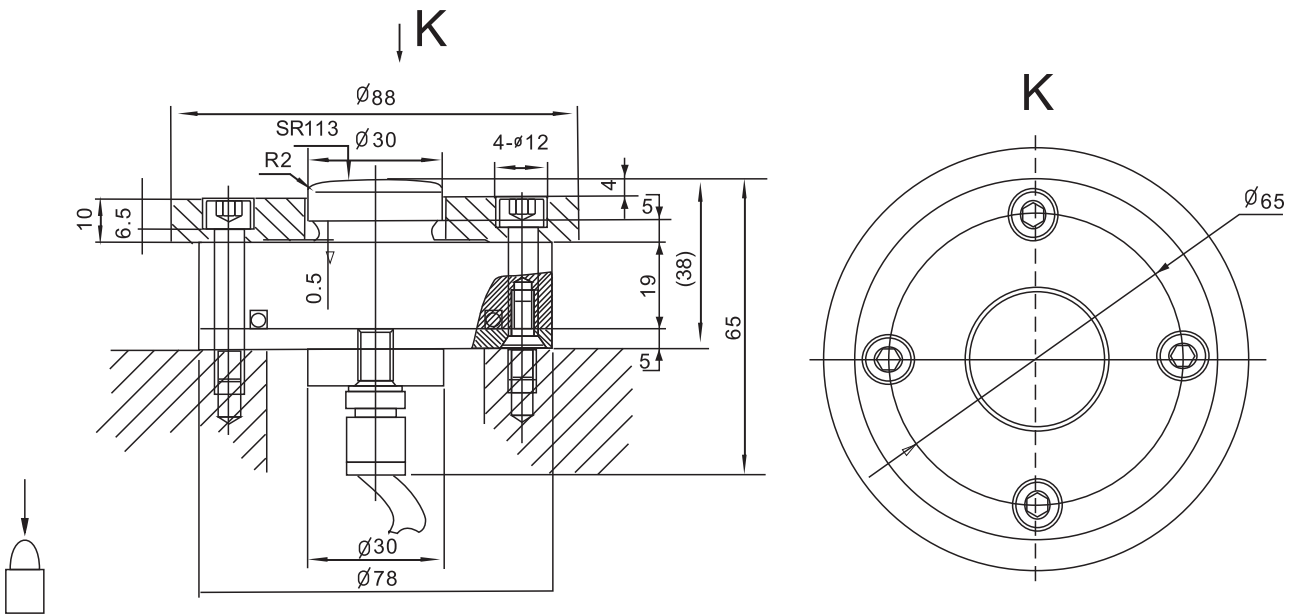
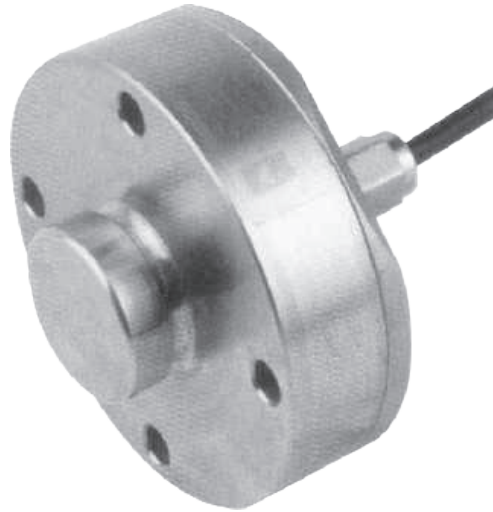




**YBSFC Loadcell**

**YBSFC**



Axle wheel identify unit,compression testing situation

**TECHNICAL PARAMETER** | OAP version 4Wires:Exc+(Blue);Exc-(Black);Sig+(White);Sig-(Red)

Rated capacities(Emax)	3t	Temperature range, compensated	-10°C~+40°C
Sensitivity	1.2±0.15mV/V	Temperature range, operating	-30~+70°C
Total error	±2%F.S	Maximum safe overload	120%F.S
Creep error (30min)	±0.05%F.S	Ultimate overload	150%F.S
Zero balance	2~4%F.S	Excitation,recommended	10~12V DC
TC ZERO	±0.2%F.S/10°C	Excitation,maximum	15V DC
TC SPAN	±0.5%F.S/10°C	Protection class	IP67
Input resistance	730±30Ω	Construction	Alloy Steel
Output resistance	702±3Ω	Cable	Length:7m
Insulation resistance	≥5000MΩ		Diameter: φ 5mm