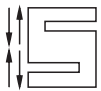
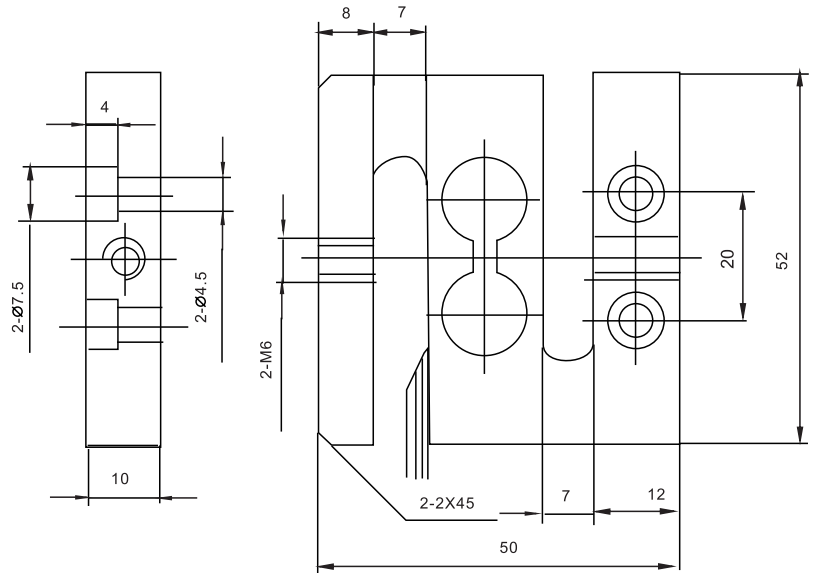
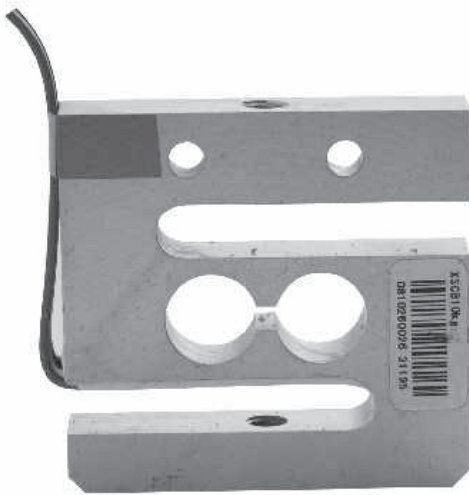




XSCB/XSGB Loadcell

XSCB/XSGB



Tension testing for pull/push & special device

TECHNICAL PARAMETER OAP version 4Wires:Exc+(Blue);Exc-(Black);Sig+(White);Sig-(Red)

| | | | |
|------------------------|------------------------------|--------------------------------|------------------------------------|
| Rated capacities(Emax) | 1,2,3,5,10,20,50,100kg (XSG) | Temperature range, compensated | -10°C~+40°C |
| Sensitivity | 0.5mV/V(1kg) | Temperature range, operating | -30~+70°C |
| | 1.0mV/V(2~100kg) | Maximum safe overload | 120%F.S |
| Total error | ±0.2%F.S | Ultimate overload | 150%F.S |
| Creep error (30min) | ±0.2%F.S | Excitation, recommended | 10~12V DC |
| Zero balance | ±1%F.S | Excitation, maximum | 15V DC |
| TC ZERO | ±0.2%F.S/10°C | Protection class | IP65 |
| TC SPAN | ±0.2%F.S/10°C | Construction | Aluminium(XSCB); Alloy Steel(XSGB) |
| Input resistance | 350±5Ω | Cable | Length:25cm |
| Output resistance | 350±5Ω | | |
| Insulation resistance | ≥5000MΩ | | |