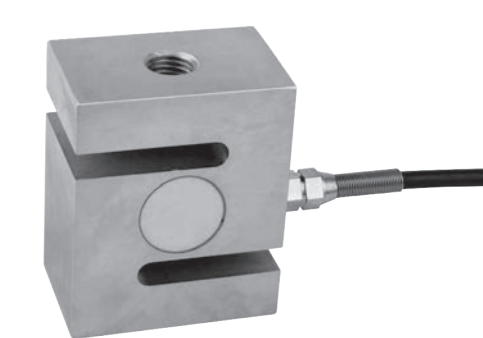


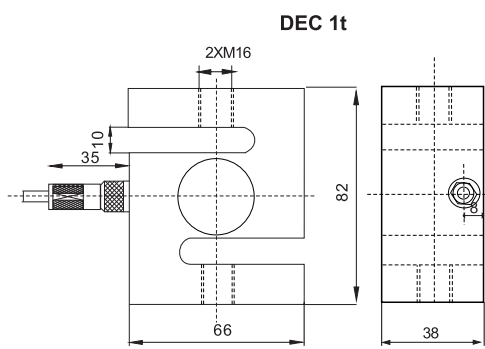
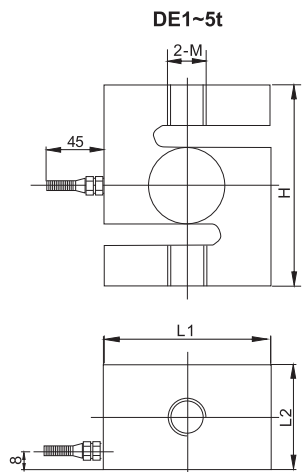


**DE/DEC Loadcell**

**DE/DEC**

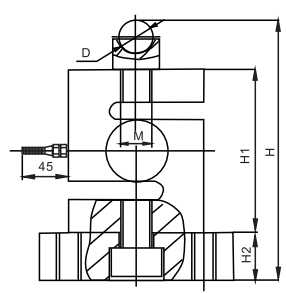
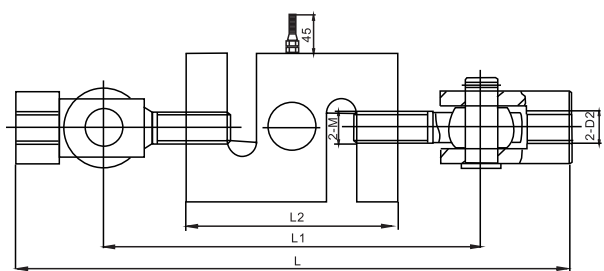


Rated Load (t)	H	L1	L2	M
1	82	66	38	M12
1.5,2	86	70	45	M16
5	130	92	58	M20



(Diagram B)

(Diagram A)

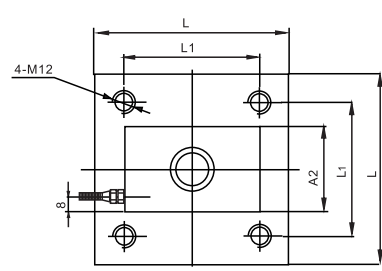
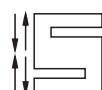


(Table B)

Rated Load (kg)	Lmax	L1max	L2	M	D2
1	240	160	82	M12	M12
1.5,2	261	173	86	M16	M16
5	355	235	130	M20	M24

(Table A)

Rated Load(t)	H	H1	H2	L	L1	A2	M	D
1	126	82	19	100	70	38	M12	φ16
1.5,2	136	86	24	100	70	45	M16	φ16
5	190	130	29	128	92	58	M20	φ19



Crane scale,blending scale,packing scale, electromechanical scale,special testing device

**TECHNICAL PARAMETER**

OAP version 4Wires:Exc+(Blue);Exc-(Black);Sig+(White);Sig-(Red)

Rated capacities(Emax)	1, 1.5, 2, 5t	Temperature range, compensated	-10°C~+40°C
Sensitivity	2.0±0.002mV/V	Temperature range, operating	-30~+70°C
Total error	±0.03%F.S	Maximum safe overload	120%F.S
Creep error (30min)	±0.02%F.S	Ultimate overload	150%F.S
Zero balance	±1%F.S	Excitation, recommended	10~12V DC
TC ZERO	±0.02%F.S/10°C	Excitation, maximum	15V DC
TC SPAN	±0.02%F.S/10°C	Protection class	IP67
Input resistance	400±20Ω	Construction	Alloy Steel
Output resistance	352±3Ω	Cable	Length:12m(DEC1t);2m
Insulation resistance	≥2000MΩ		Diameter: φ 5mm(DEC1t); φ 6mm