

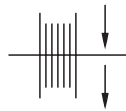
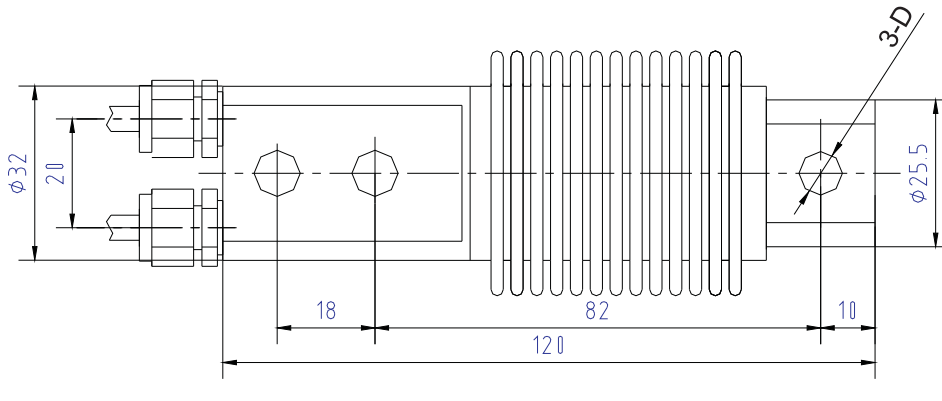
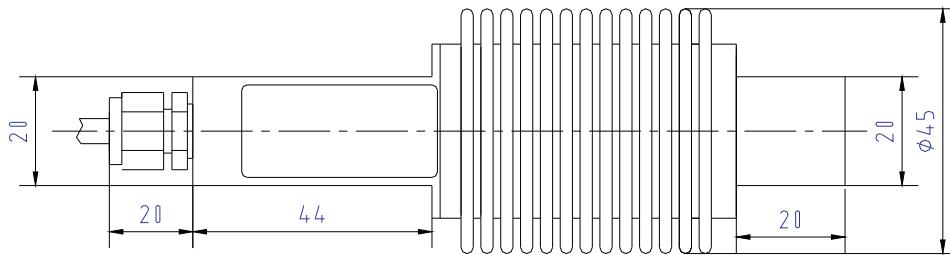


**HSX-AW Loadcell**

**HSX-AW**



(kg)	50~250	300,500
D(mm)	φ8.2	φ10.2



Hopper scale,belt scale,blending system

**TECHNICAL PARAMETER** | OAP version 4Wires:Exc+(Blue);Exc-(Black);Sig+(White);Sig-(Red)

Rated capacities(Emax)	50,75,100,150,200,250,300,500kg	Temperature range, compensated	-10°C~+40°C
Sensitivity	2.0 ± 0.002mV/V( dual signal)	Temperature range, operating	-30~+70°C
Total error	± 0.03%F.S	Maximum safe overload	120%F.S
Creep error	± 0.03%F.S	Ultimate overload	150%F.S
Zero balance	± 1%F.S	Excitation, recommended	10~12V DC
TC ZERO	± 0.03%F.S/10°C	Excitation, maximum	15V DC
TC SPAN	± 0.03%F.S/10°C	Protection class	IP68
Input resistance	400 ± 20 Ω	Construction	Alloy Steel
Output resistance	352 ± 3 Ω	Cable	Length:3m
Insulation resistance	≥ 5000M Ω		Diameter: φ 5mm