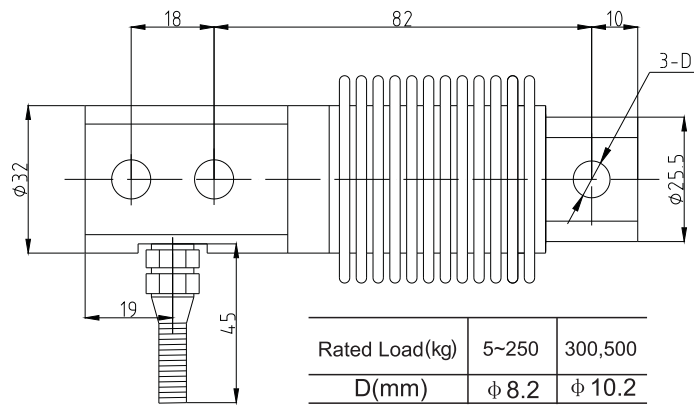
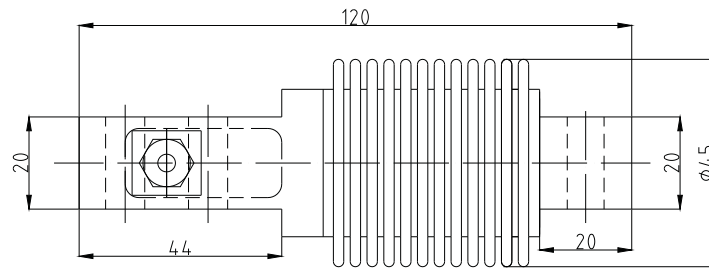
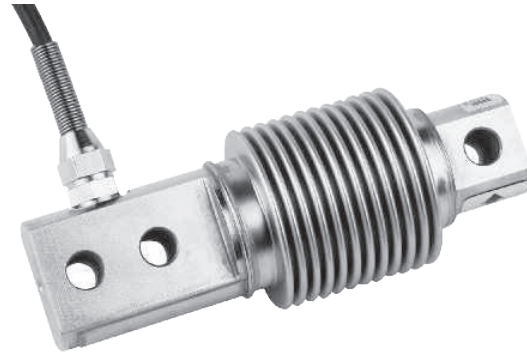


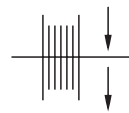


HSXJ-A/-ASS Loadcell

HSXJ-A/-ASS



Rated Load(kg)	5~250	300,500
D(mm)	φ 8.2	φ 10.2



Hopper scale,belt scale,blending system

TECHNICAL PARAMETER | OAP version 4Wires:Exc+(Blue);Exc-(Black);Sig+(White);Sig-(Red)

Rated capacities(Emax)	5,10,20,30,40,50,75,100,150,200,250,300,500kg	Temperature range, compensated	-10°C~+40°C
Sensitivity	2.0±0.002mV/V	Temperature range, operating	-30~+70°C
Total error	±0.02%F.S, ±0.03%F.S	Maximum safe overload	120%F.S
Creep error	±0.02%F.S, ±0.03%F.S	Ultimate overload	150%F.S
Zero balance	±1%F.S	Excitation, recommended	10~12V DC
TC ZERO	±0.02%F.S/10°C	Excitation, maximum	15V DC
TC SPAN	±0.02%F.S/10°C	Protection class	IP68
Input resistance	400±20Ω	Construction	Alloy Steel, Stainless Steel
Output resistance	352±3Ω	Cable	Length:3m
Insulation resistance	≥5000MΩ		Diameter: φ5 mm