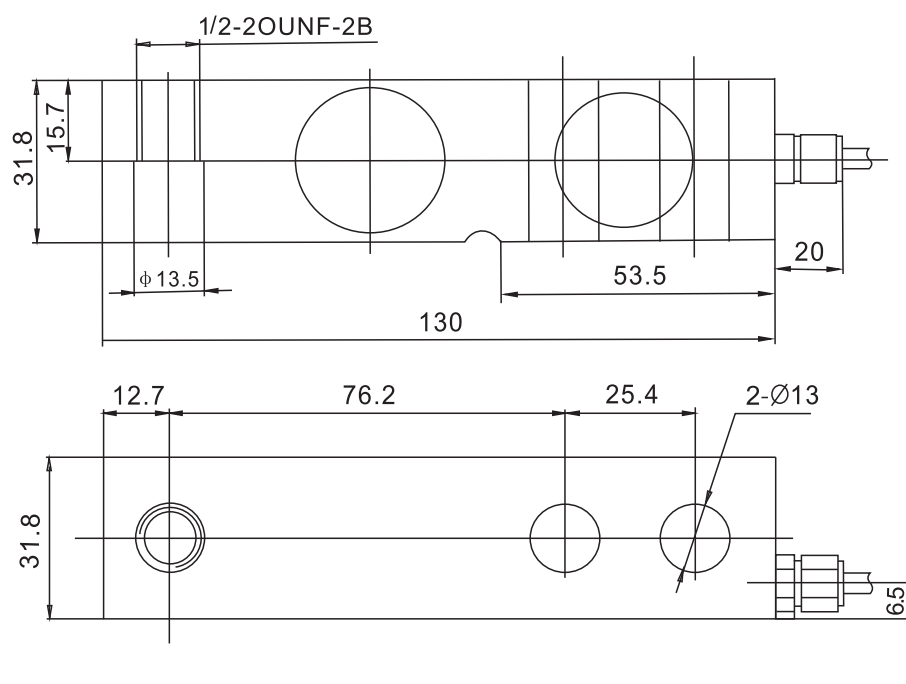
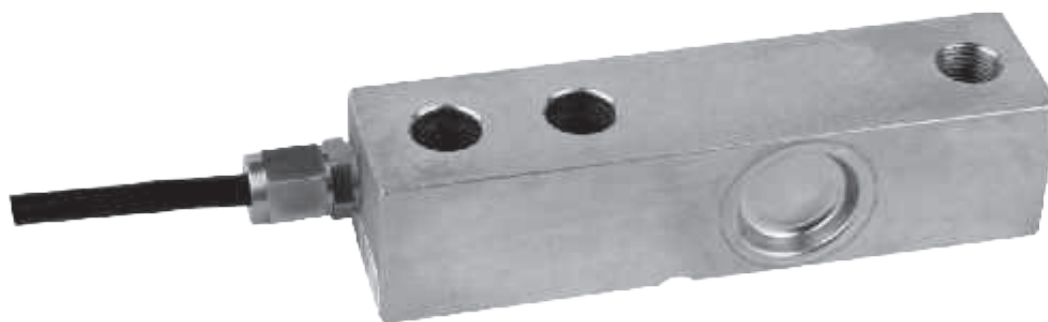




SQBY/SQBY-A/-ASS Loadcell

SOBY/SQBY-A/-ASS



Floor scale,blending scale,platform scale

TECHNICAL PARAMETER | OAP version 4Wires:Exc+(Blue);Exc-(Black);Sig+(White);Sig-(Red)

| | | | |
|------------------------|----------------|--------------------------------|------------------------------|
| Rated capacities(Emax) | 1,2,2.5,4klb | Temperature range, compensated | -10°C~+40°C |
| Sensitivity | 3.0±0.003mV/V | Temperature range, operating | -30~+70°C |
| Accuracy class | III L 5000 | Maximum safe overload | 150%F.S |
| | | Ultimate overload | 200%F.S |
| Zero balance | ±1%F.S | Excitation,recommended | 10~12V DC |
| TC ZERO | ±0.02%F.S/10°C | Excitation,maximum | 15V DC |
| TC SPAN | ±0.02%F.S/10°C | Protection class | IP67(1klb);IP68(2~4klb) |
| Input resistance | 400±20Ω | Construction | Alloy Steel, Stainless Steel |
| Output resistance | 352±3Ω | Cable | Length: 3m |
| Insulation resistance | ≥5000MΩ | | Diameter: φ6mm |