

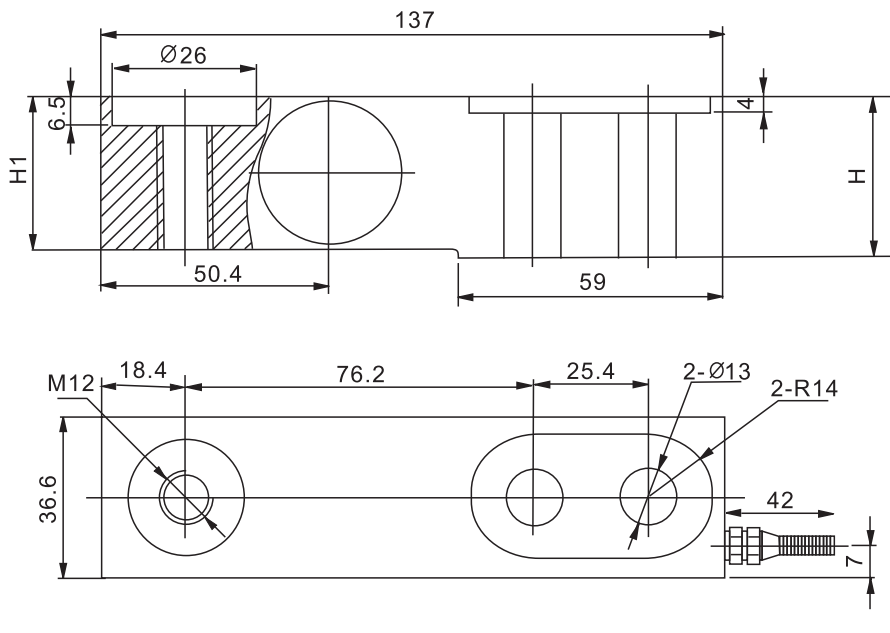


**SBC-A/SBF-A Loadcell**

**SBC-A/SBF-A**



Rated Load (t)	SBC	SBF
H	36.6	31
H1	34.5	30



Forklift scale, low platform scale, platform scale

**TECHNICAL PARAMETER** | OAP version 4Wires:Exc+(Blue);Exc-(Black);Sig+(White);Sig-(Red)

Rated capacities(Emax)	1t	Temperature range, compensated	-10°C~+40°C
Sensitivity	2.0±0.002mV/V	Temperature range, operating	-30~+70°C
Total error	±0.05%F.S	Maximum safe overload	150%F.S
Creep error	±0.03%F.S	Ultimate overload	300%F.S
Zero balance	±1%F.S	Excitation, recommended	10~12V DC
TC ZERO	±0.02%F.S/10°C	Excitation, maximum	15V DC
TC SPAN	±0.02%F.S/10°C	Protection class	IP68
Input resistance	400±20Ω	Construction	Alloy Steel
Output resistance	352±3Ω	Cable	Length: 1.4m
Insulation resistance	≥5000MΩ		Diameter: φ6mm