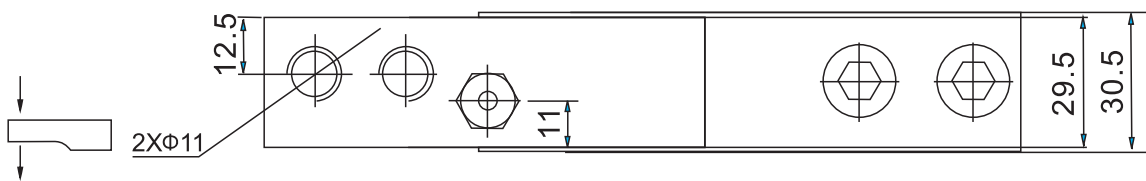
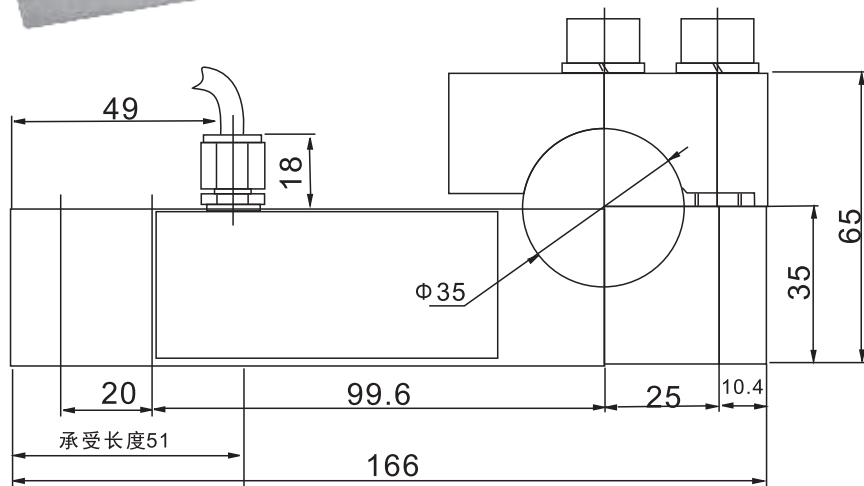




SQBE Loadcell

SQBE



Industry tension-testing, mechanism counting equipment

TECHNICAL PARAMETER | OAP version 4Wires:Exc+(Blue);Exc-(Black);Sig+(White);Sig-(Red)

Rated capacities(Emax)	100,250,850kg	Temperature range, compensated	-10°C~+40°C
Sensitivity	2.0±0.01mV/V	Temperature range, operating	-30~+70°C
Creep error (30min)	±0.2%F.S	Maximum safe overload	150%F.S
Zero balance	±0.05%F.S	Ultimate overload	200%F.S
Zero balance	±1%F.S	Excitation, recommended	10~12V DC
TC ZERO	±0.02%F.S/10°C	Excitation, maximum	15V DC
TC SPAN	±0.02%F.S/10°C	Protection class	IP67
Input resistance	400±20Ω	Construction	Alloy Steel
Output resistance	352±3Ω	Cable	Length:1.5m Diameter: φ 5mm
Insulation resistance	≥5000MΩ		