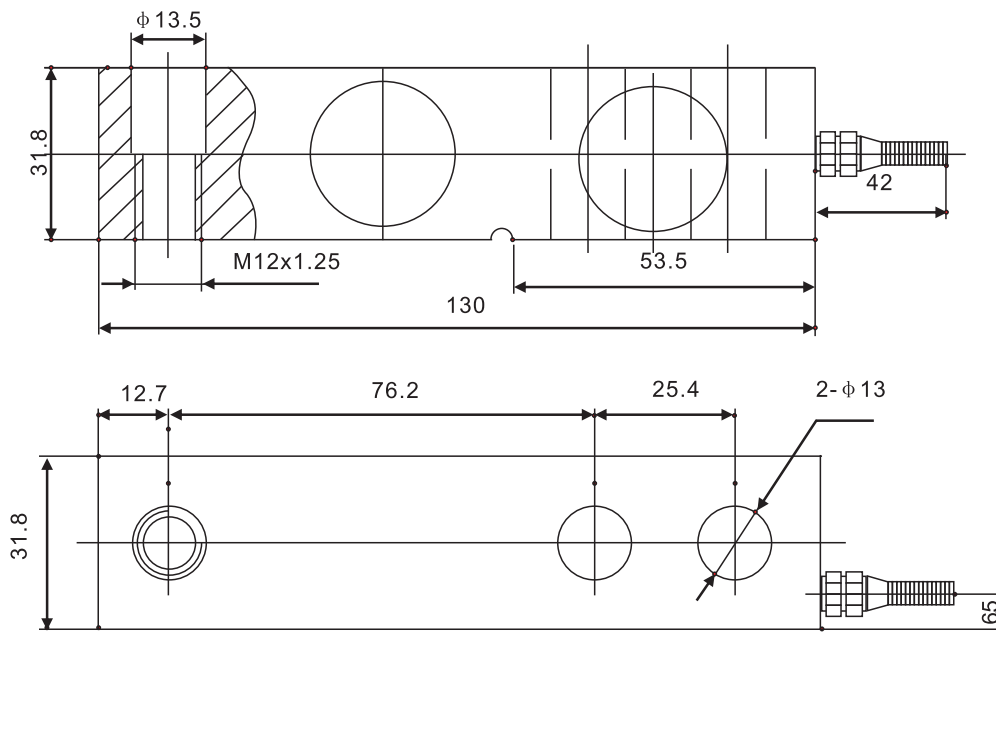




SQBC-A/-ASS Loadcell

SQBC-A/-ASS



Floor scale,blending control system,low platform scale

TECHNICAL PARAMETER | OAP version 4Wires:Exc+(Blue);Exc-(Black);Sig+(White);Sig-(Red)

Rated capacities(Emax)	0.5,0.75, 1,1.5,2,2.5t	Temperature range, compensated	-10°C~+40°C
Sensitivity	3.0±0.003mV/V;2.0±0.002mV/V (0.5t)	Temperature range, operating	-30~+70°C
Creep error (30min)	±0.03%F.S(Alloy Steel); ±0.05%F.S(Stainless Steel)	Maximum safe overload	150%F.S
Zero balance	±0.02%F.S, ±0.03%F.S	Ultimate overload	180%F.S
Zero balance	±1%F.S	Excitation,recommended	10~12V DC
TC ZERO	±0.02%F.S/10°C	Excitation,maximum	15V DC
TC SPAN	±0.02%F.S/10°C	Protection class	IP67(0.5~0.75t);IP68(1~2.5t)
Input resistance	400±20Ω	Construction	Alloy Steel Stainless Steel
Output resistance	352±3Ω	Cable	Length:3m
Insulation resistance	≥5000MΩ		Diameter: φ 6mm