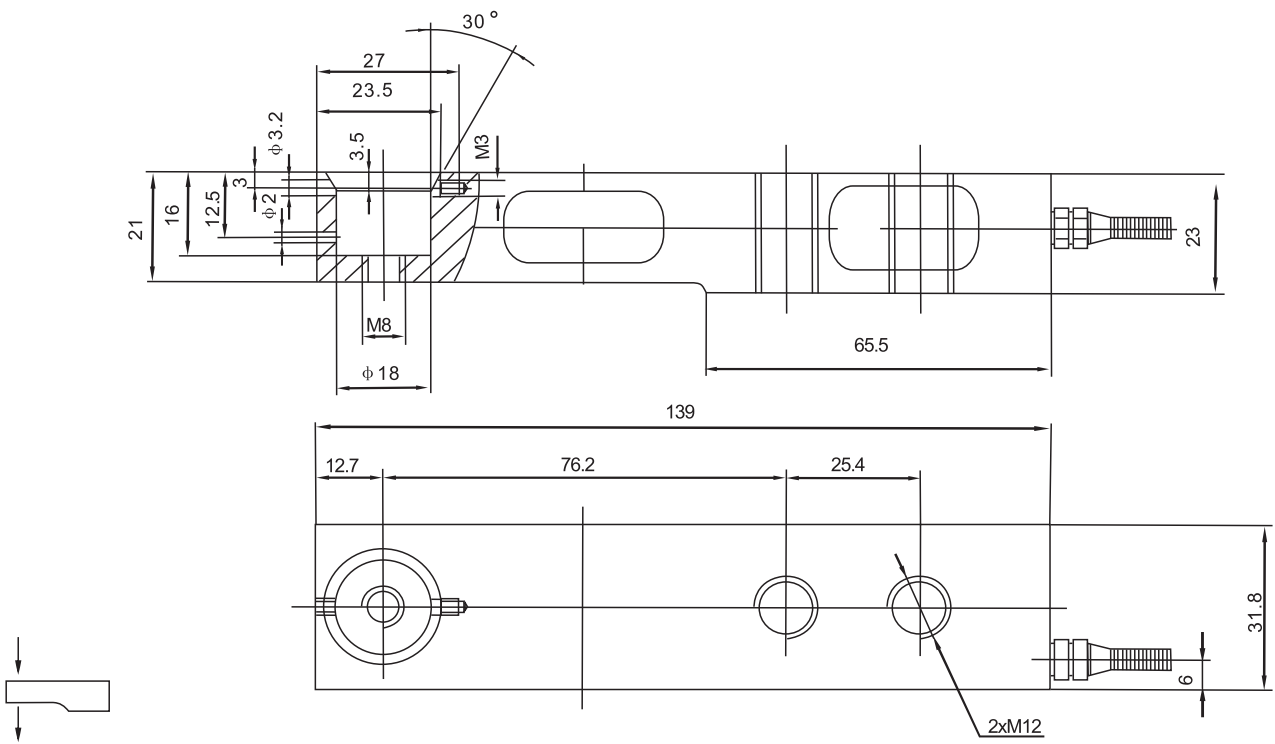




**CBK/-SS Loadcell**

**CBK/-SS**



Platform scale,blending scale,packing scale,Low platform scale

**TECHNICAL PARAMETER** | OAP version 4Wires:Exc+(Blue);Exc-(Black);Sig+(White);Sig-(Red)

Rated capacities(Emax)	0.17,0.25,0.4,0.7,1.3,2t	Temperature range, compensated	-10°C~+40°C
Sensitivity	2.0±0.003mV/V	Temperature range, operating	-30~+70°C
Creep error (30min)	±0.03%F.S, ±0.05%F.S	Maximum safe overload	120%F.S
Zero balance	±0.03%F.S, ±0.05%F.S	Ultimate overload	200%F.S
Zero balance	±1%F.S	Excitation,recommended	10~12V DC
TC ZERO	±0.03%F.S/10°C	Excitation,maximum	15V DC
TC SPAN	±0.03%F.S/10°C	Protection class	IP66
Input resistance	1106±10Ω	Construction	Alloy Steel Stainless Steel
Output resistance	1000±5Ω	Cable	Length:3m
Insulation resistance	≥5000MΩ		Diameter: φ 5mm