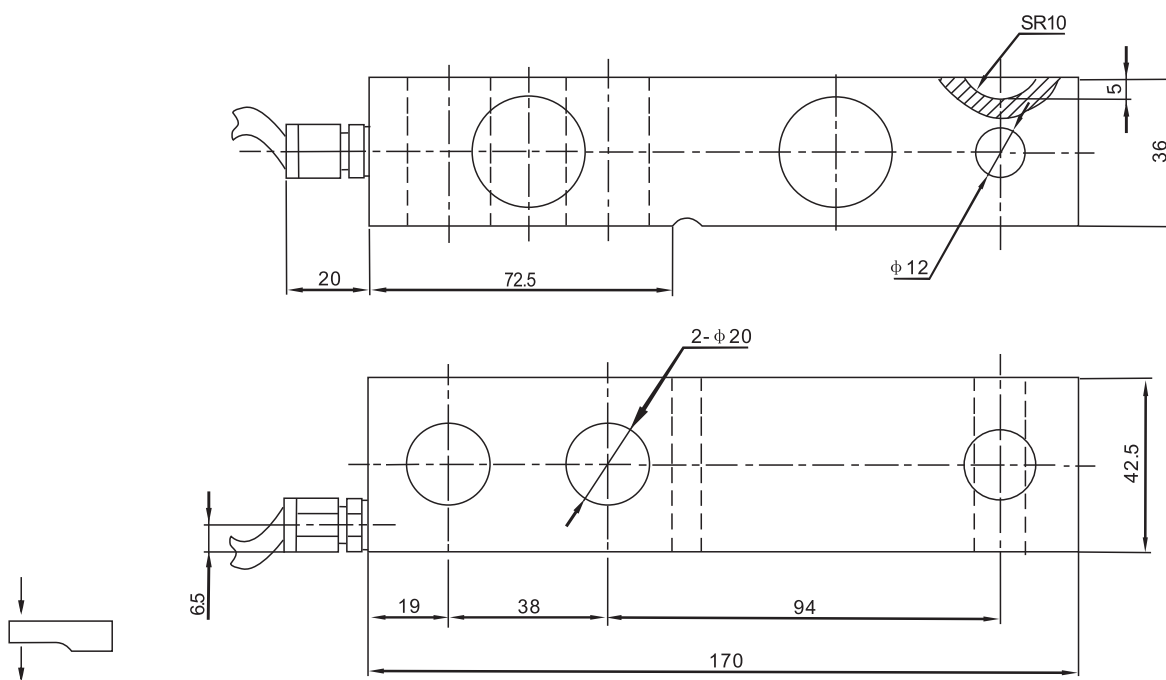




**SQBWB-A/-ASS Loadcell**

**SQBWB-A/-ASS**



Platform scale,blending scale,packing scale,Low platform scale

**TECHNICAL PARAMETER** | OAP version 4Wires:Exc+(Blue);Exc-(Black);Sig+(White);Sig-(Red)

Rated capacities(Emax)	2.5,5t	Temperature range, compensated	-10°C~+40°C
Sensitivity	2.0±0.002mV/V	Temperature range, operating	-30~+70°C
Total error	±0.05%F.S	Maximum safe overload	120%F.S
Creep error (30min)	±0.03%F.S	Ultimate overload	200%F.S
Zero balance	±2%F.S	Excitation,recommended	10~12V DC
TC ZERO	±0.02%F.S/10°C	Excitation,maximum	15V DC
TC SPAN	±0.02%F.S/10°C	Protection class	IP68
Input resistance	385±30Ω	Construction	Alloy Steel Stainless Steel
Output resistance	350±4Ω	Cable	Length:6m
Insulation resistance	≥5000MΩ		Diameter: φ 5mm