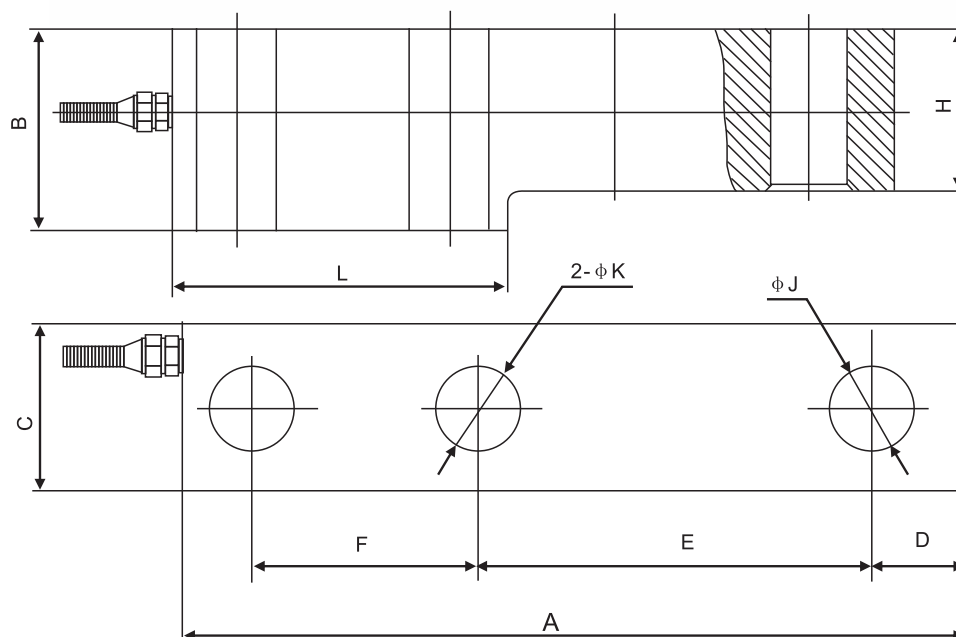
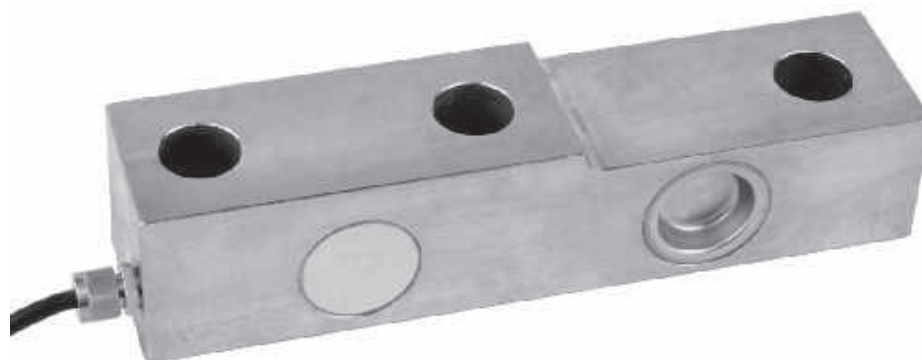




**SBO/SBO-A Loadcell**

**SBO/SBO-A**



**TECHNICAL PARAMETER** | OAP version 4Wires:Exc+(Blue);Exc-(Black);Sig+(White);Sig-(Red)

Rated capacities(Emax)	0.1,0.2,0.3,0.5,1,2,3,5,10t	Temperature range, compensated	-10°C~+40°C
Sensitivity	2.0±0.002mV/V	Temperature range, operating	-30°C~+70°C
Total error	0.1~2t:±0.03%F.S.;3~5t:±0.05%F.S;	Maximum safe overload	150%F.S
	10t:0.1%F.S.(Alloy Steel Product)	Ultimate overload	250%F.S
	0.1~3t:±0.05%F.S;5t:0.1%F.S;	Excitation,recommended	10~12V DC
	10t:0.2%F.S.(Stainless Steel Product)	Excitation,maximum	15V DC
Creep error (30min)	±0.02%F.S ;±0.05%F.S	Protection class	IP67(0.1~0.5t),IP68(1~10t)
Zero balance	±1%F.S	Construction	Alloy Steel
TC ZERO	±0.02%F.S/10°C	Cable	Length:3m(0.1~0.5t),5m(1~5t);8m(10t)
TC SPAN	±0.02%F.S/10°C		Diameter: φ 5mm(0.1~5t); φ 6mm(10t)
Input resistance	400±20Ω		
Output resistance	352±3Ω		
Insulation resistance	≥5000MΩ		