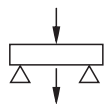
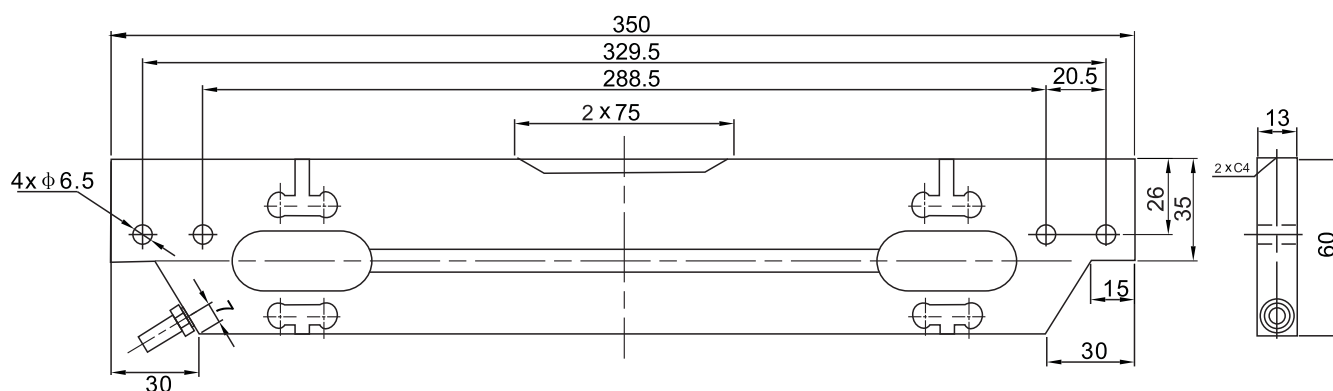




BTKB Loadcell

BTKB



Tension testing device animal scales

TECHNICAL PARAMETER | OAP version 4Wires:Exc+(Blue);Exc-(Black);Sig+(White);Sig-(Red)

Rated capacities(Emax)	600,800kg	Temperature range, compensated	-10°C~+40°C
Sensitivity	2.0±0.005mV/V	Temperature range, operating	-30~+70°C
Total error	±0.1%F.S	Maximum safe overload	120%F.S
Creep error	±0.05%F.S	Ultimate overload	200%F.S
Zero balance	±1%F.S	Excitation,recommended	10~12V DC
TC ZERO	±0.03%F.S/10°C	Excitation,maximum	15V DC
TC SPAN	±0.03%F.S/10°C	Protection class	IP66
Input resistance	760±10Ω	Construction	Alloy Steel
Output resistance	702±3Ω	Cable	Length:5 Diameter:φ5mm
Insulation resistance	≥5000MΩ		