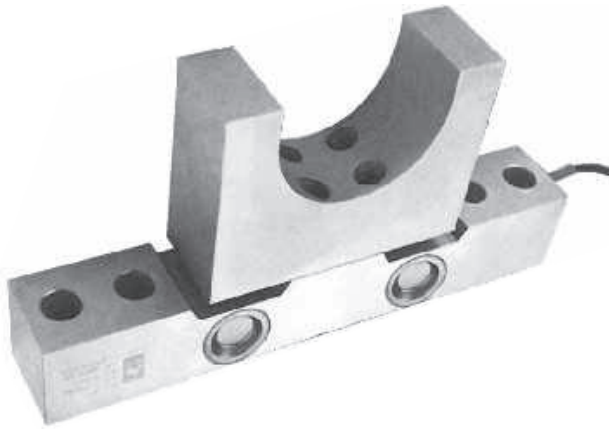


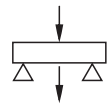
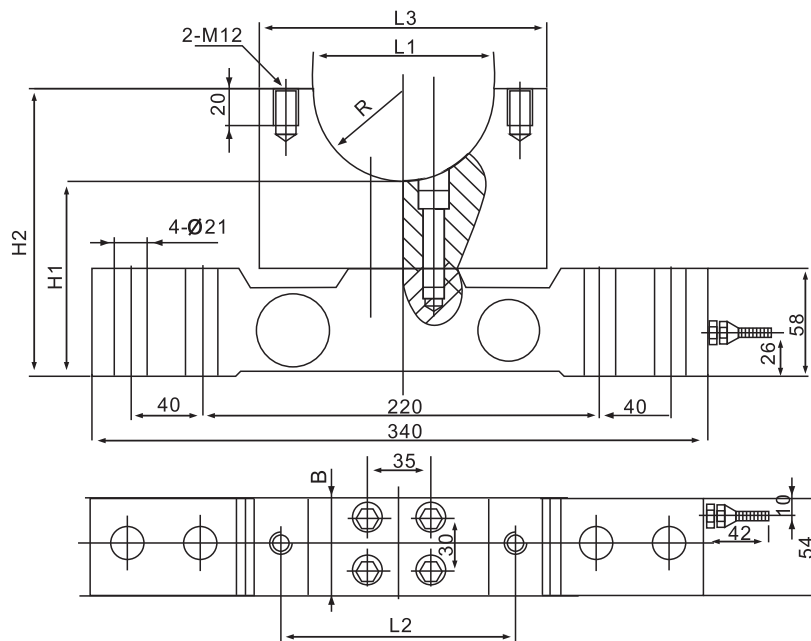


**BT-A Loadcell**

**BT-A**



Rated Load (t)	R	L1	L2	L3	H1	H2	B
10	40	77.5	110	140	115	145	54
15	50	100	130	160	110	180	54
20t I	52.5	105	140	170	107.5	160	54
20t II	60	120	150	180	115	175	54
20t III	60	120	150	180	115	175	85



Overhead crane scale, every kinds of special scale

**TECHNICAL PARAMETER** | OAP version 4Wires:Exc+(Blue);Exc-(Black);Sig+(White);Sig-(Red)

Rated capacities(Emax)	10,15,20t	Temperature range, compensated	-10°C~+40°C
Sensitivity	2.0±0.002mV/V	Temperature range, operating	-30~+70°C
Total error	±0.05%F.S	Maximum safe overload	150%F.S
Creep error	±0.02%F.S	Ultimate overload	250%F.S
Zero balance	±1%F.S	Excitation, recommended	10~12V DC
TC ZERO	±0.02%F.S/10°C	Excitation, maximum	15V DC
TC SPAN	±0.02%F.S/10°C	Protection class	IP68
Input resistance	750±10Ω	Construction	Alloy Steel
Output resistance	702±3Ω	Cable	Length:12m
Insulation resistance	≥5000MΩ		Diameter: φ 6mm