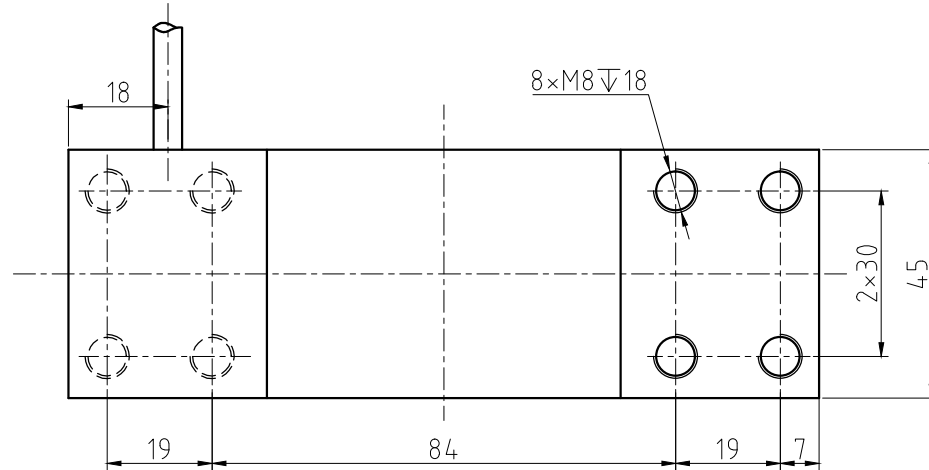
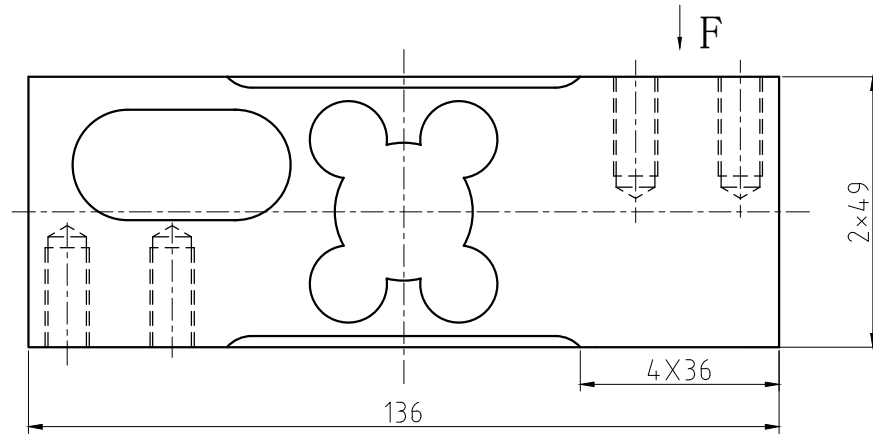
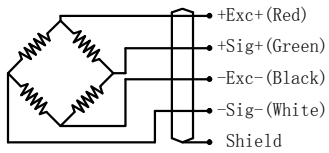


Wiring Schematic Diagram



Specifications		Rate load	
	kg	60, 150, 300	
Sensitivity	mV/V	1.5 ± 0.15	
Accuracy class(30)		C3	
Creep(30min)	ppm	±166	
Zero balance	E _{max}	±3%	
TCO	ppm /°C	±17.5	
TC Span	+20~40°C	±17.5	
	-10~+20°C	±11.67	
Input Resistance	Ω	404 ± 15	
Output Resistance	Ω	350 ± 3	
Insulation Resistance	MΩ	≥2000	
Operating Temp Range	°C	-20~+50	
Safe Load limit	%F.S	150	
Lateral Load Limit	%F.S	200	
Recommend Excitation	V DC	10	
Maximum Excitation	V DC	15	
Protection Class	Ip65		
Construction	Aluminium		
Cable	Length:1.5m		
	Diameter: Φ 5mm		
Max.platform size	400X400mm		

									BCO60kg~300kg
									KL/JT-BCO60kg~300kg-0A