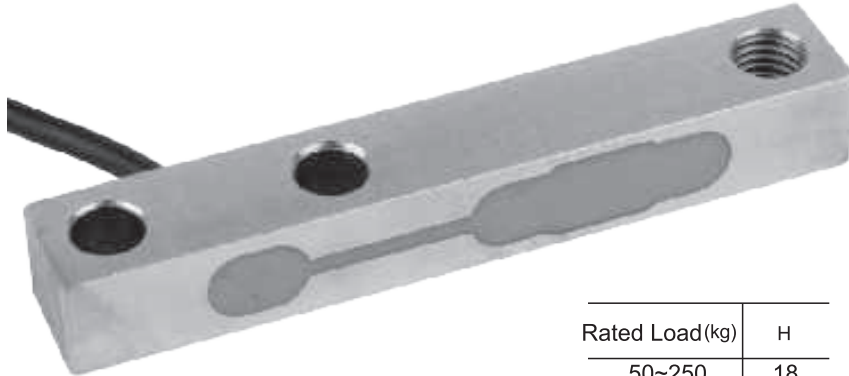




**LS/-A/-SS/-ASS Loadcell**

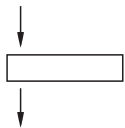
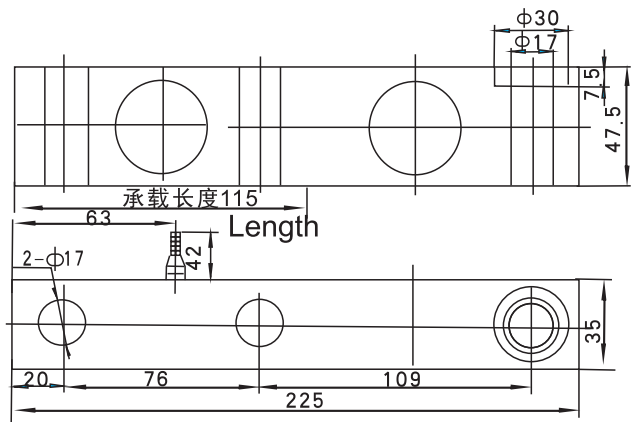
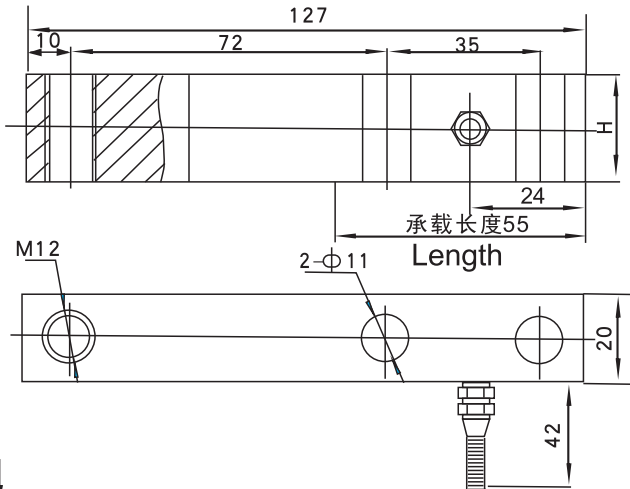
**LS/-A/-SS/-ASS**



Rated Load (kg)	H
50~250	18
500~1000	24

50kg~1t

5t



Platform scale, all kinds of compression testing device

**TECHNICAL PARAMETER**

OAP version 4Wires:Exc+(Blue);Exc-(Black);Sig+(White);Sig-(Red)

Rated capacities(Emax)	50,100,150,200,250,500kg;1,5t	Temperature range, compensated	-10°C~+40°C
Sensitivity	1.6±0.002mV/V(50kg);1.9±0.002mV/V(150kg);2.0±0.002mV/V	Temperature range, operating	-30~+70°C
Total error	±0.03%F.S; ±0.05%F.S(5t)	Maximum safe overload	120%F.S
Creep error (30min)	±0.02%F.S; ±0.03%F.S	Ultimate overload	180%F.S
Zero balance	±1%F.S	Excitation, recommended	10~12V DC
TC ZERO	±0.02%F.S/10°C	Excitation, maximum	15V DC
TC SPAN	±0.02%F.S/10°C	Protection class	IP67(50kg~1t);IP68(5t)
Input resistance	400±20Ω	Construction	Alloy Steel Stainless Steel
Output resistance	352±3Ω	Cable	Length= 2.6 m(50kg~1t),5m(5t)
Insulation resistance	≥5000MΩ		Diameter: φ 5mm(50kg~1t), φ 6mm(5t)