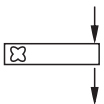
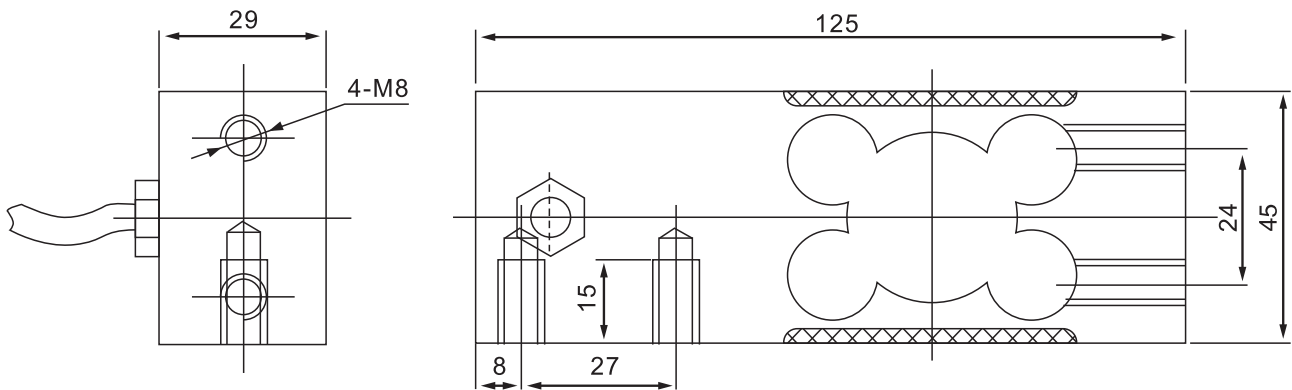
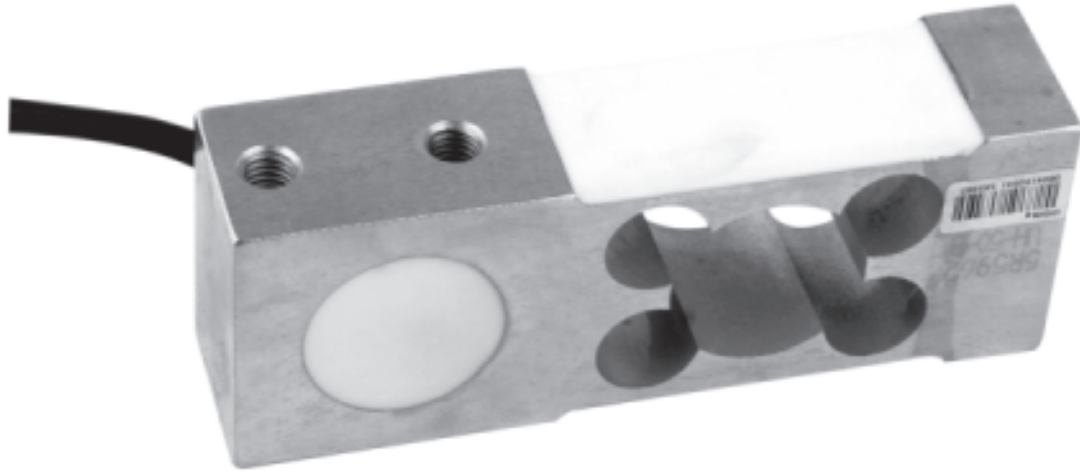




**UH Loadcell**

**UH**



Blending scale, packing scale, dynamic testing system, platform scale

**TECHNICAL PARAMETER** OAP version 4Wires:Exc+(Blue);Exc-(Black);Sig+(White);Sig-(Red)

|                        |                      |                                |                 |
|------------------------|----------------------|--------------------------------|-----------------|
| Rated capacities(Emax) | 20, 30, 40, 50kg     | Temperature range, compensated | -10°C~+40°C     |
| Sensitivity            | 1.8±0.1mV/V          | Temperature range, operating   | -30~+70°C       |
| Total error            | ±0.05%F.S            | Maximum safe overload          | 120%F.S         |
| Creep error (30min)    | ±0.02%F.S, ±0.03%F.S | Ultimate overload              | 150%F.S         |
| Zero balance           | ±1%F.S               | Excitation, recommended        | 10~12V DC       |
| TC ZERO                | ±0.02%F.S/10°C       | Excitation, maximum            | 15V DC          |
| TC SPAN                | ±0.02%F.S/10°C       | Protection class               | IP65            |
| Input resistance       | 400±20Ω              | Construction                   | Alloy Steel     |
| Output resistance      | 352±3Ω               | Cable                          | Length:2m       |
| Insulation resistance  | ≥5000MΩ              |                                | Diameter: φ 5mm |