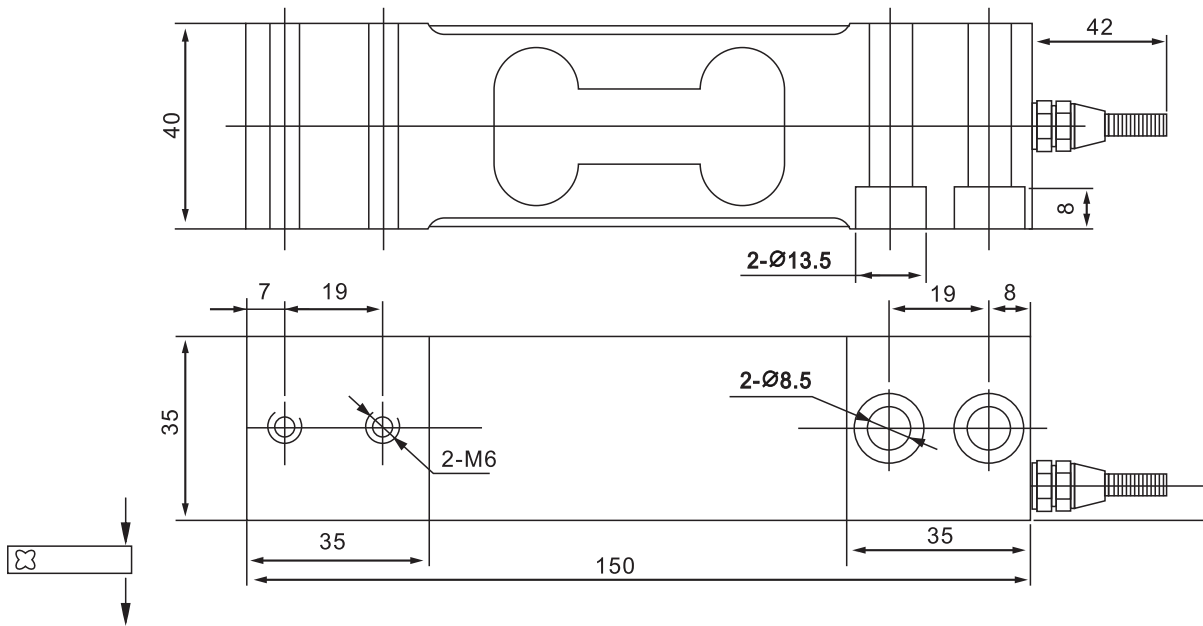
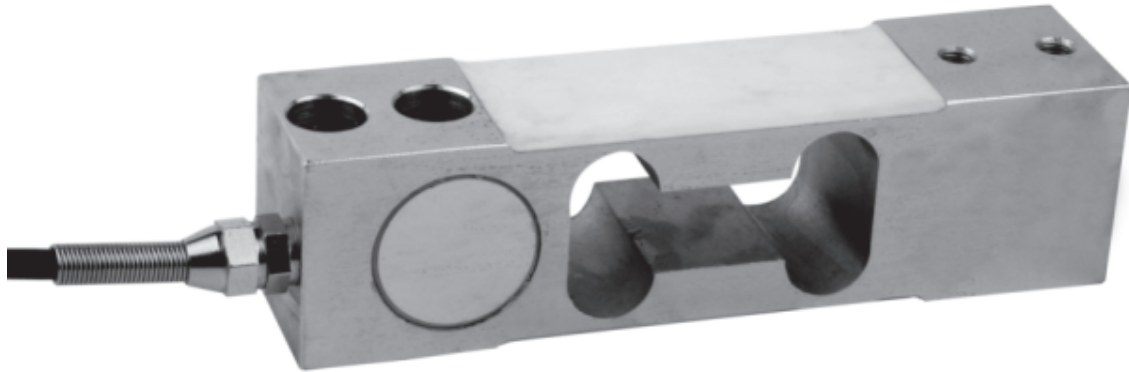




**ILKB Loadcell**

**ILKB**



Blending scale, packing scale, dynamic testing system, platform scale

**TECHNICAL PARAMETER** OAP version 4Wires:Exc+(Blue);Exc-(Black);Sig+(White);Sig-(Red)

|                        |                  |                                |                |
|------------------------|------------------|--------------------------------|----------------|
| Rated capacities(Emax) | 60,100,150,200kg | Temperature range, compensated | -10°C~+40°C    |
| Sensitivity            | 2.0±0.2mV/V      | Temperature range, operating   | -30~+70°C      |
| Total error            | ±0.03%F.S        | Maximum safe overload          | 150%F.S        |
| Creep error (30min)    | ±0.03%F.S        | Ultimate overload              | 200%F.S        |
| Zero balance           | ±1%F.S           | Excitation, recommended        | 10~12V DC      |
| TC ZERO                | ±0.02%F.S/10°C   | Excitation, maximum            | 15V DC         |
| TC SPAN                | ±0.02%F.S/10°C   | Protection class               | IP65           |
| Input resistance       | 400±20 Ω         | Construction                   | Alloy Steel    |
| Output resistance      | 352±3 Ω          | Cable                          | Length:3m      |
| Insulation resistance  | ≥5000M Ω         |                                | Diameter: φ5mm |