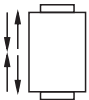
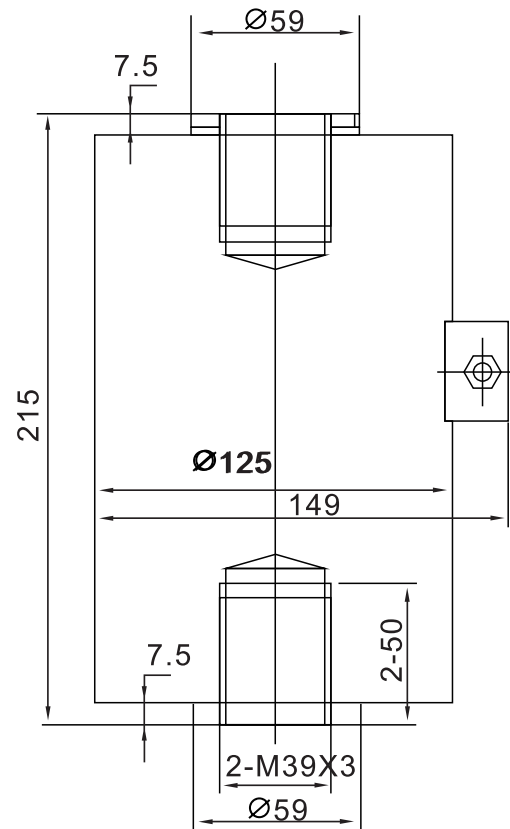




ZSM-A Loadcell

ZSM-A



Large-size crane equipment, Lab testing equipment

TECHNICAL PARAMETER | OAP version 4Wires:Exc+(Blue);Exc-(Black);Sig+(White);Sig-(Red)

Rated capacities(E _{max})	5, 10, 15, 20t	Temperature range, compensated	-10°C~+40°C
Sensitivity	2.0±0.005mV/V	Temperature range, operating	-30~+70°C
Total error	±0.05%F.S	Maximum safe overload	120%F.S
Creep error (30min)	±0.03%F.S	Ultimate overload	150%F.S
Zero balance	±1%F.S	Excitation, recommended	10~12V DC
TC ZERO	±0.03%F.S/10°C	Excitation, maximum	15V DC
TC SPAN	±0.03%F.S/10°C	Protection class	IP68
Input resistance	400±20Ω	Construction	Alloy Steel
Output resistance	352±3Ω	Cable	Length:3m
Insulation resistance	≥5000MΩ		Diameter: φ 8mm