

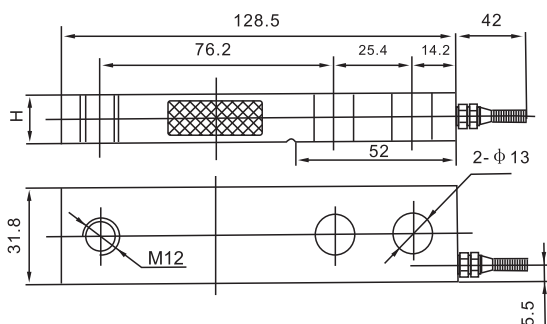


CB Loadcell

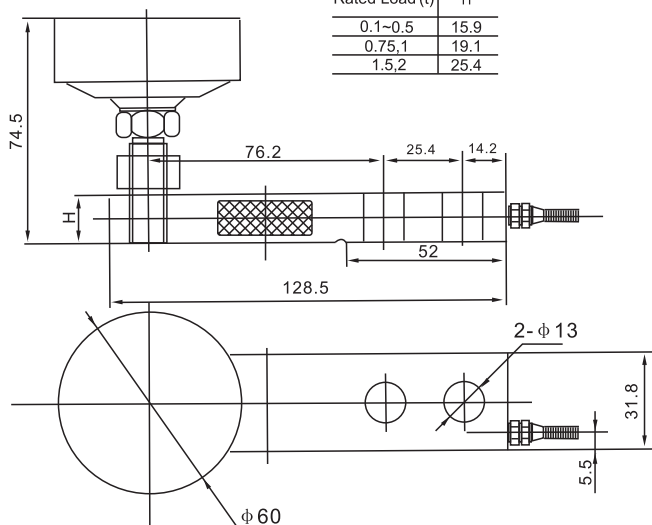
CB



Rated Load (t)	H
0.1~0.5	15.9
0.75,1	19.1
1.5,2	25.4



Rated Load (t)	H
0.1~0.5	15.9
0.75,1	19.1
1.5,2	25.4



Floor scale,blending scale,low platform scale

TECHNICAL PARAMETER | OAP version 4Wires:Exc+(Blue);Exc-(Black);Sig+(White);Sig-(Red)

Rated capacities(Emax)	0.1,0.2,0.3,0.5,0.75,1,1.5,2t	Temperature range, compensated	-10°C~+40°C
Sensitivity	2.0±0.003mV/V	Temperature range, operating	-30~+70°C
Creep error (30min)	±0.03%F.S , ±0.05%F.S	Maximum safe overload	120%F.S
Zero balance	±0.02%F.S , ±0.03%F.S	Ultimate overload	180%F.S
Zero balance	±1%F.S	Excitation,recommended	10~12V DC
TC ZERO	±0.02%F.S/10°C	Excitation,maximum	15V DC
TC SPAN	±0.02%F.S/10°C	Protection class	IP66
Input resistance	400±20Ω	Construction	Alloy Steel
Output resistance	352±3Ω	Cable	Length:3m Diameter: φ 5mm
Insulation resistance	≥5000MΩ		