

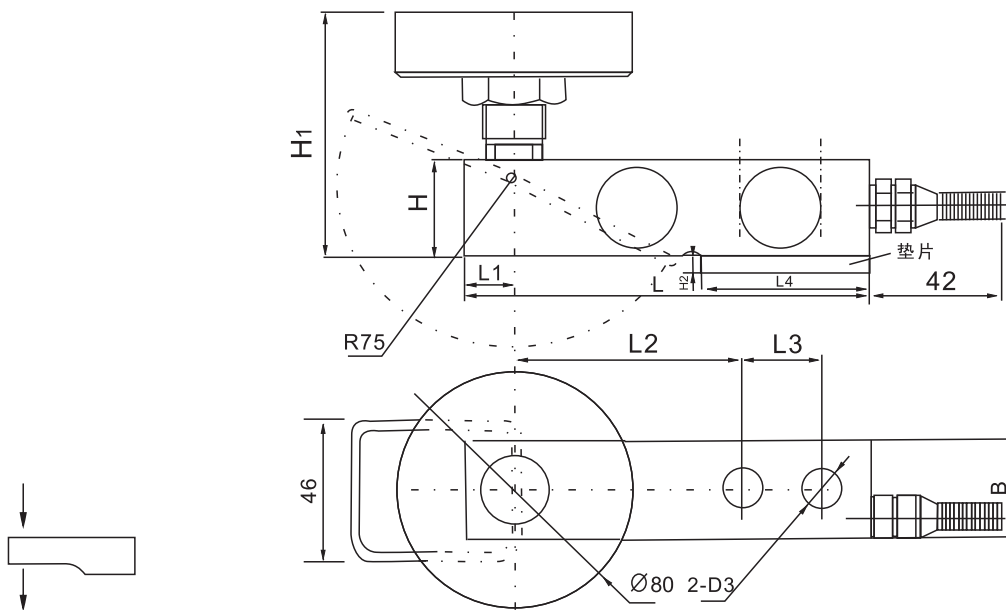


SQC-A/-ASS Loadcell

SQC-A/-ASS



Rated Load(t)	L	L1	L2	L3	L4	H/B	D3	H1	H2
1,1.5,2,2.5	130	14.7	74.2	25.4	53.5	31.8	φ 13	51	4
3,5	171.5	19	95.3	38.1	72.5	38.1	φ 20	57.3	6



Forklift scale,blending control system,platform scale

TECHNICAL PARAMETER | OAP version 4Wires:Exc+(Blue);Exc-(Black);Sig+(White);Sig-(Red)

Rated capacities(Emax)	1,1.5,2,2.5,3,5t	Temperature range, compensated	-10°C~+40°C
Sensitivity	3.0±0.003mV/V	Temperature range, operating	-30~+70°C
Total error	±0.05%F.S	Maximum safe overload	150%F.S
Creep error (30min)	±0.02%F.S,±0.03%F.S	Ultimate overload	200%F.S
Zero balance	±1%F.S	Excitation,recommended	10~12V DC
TC ZERO	±0.02%F.S/10°C	Excitation,maximum	15V DC
TC SPAN	±0.02%F.S/10°C	Protection class	IP68
Input resistance	400±20Ω	Construction	Alloy Steel
Output resistance	352±3Ω	Cable	Length:5m
Insulation resistance	≥5000MΩ		Diameter: φ 5mm(1~2.5t); φ 6mm(3~5t);